

[See all 3 Products in Family](#)

50.0/50.8mm Optic Dia., E-Series Clear Edge Kinematic Mount



#17-280, 50.0/50.8mm Optic Dia., E-Series Clear Edge Kinematic Mount

Stock **#17-280** **5 In Stock**

⊖ 1 ⊕ A\$182⁰⁰

ADD TO CART

Volume Pricing

Qty 1-9	A\$182.40 each
Qty 10-19	A\$173.28 each
Qty 20+	A\$164.16 each
Need More?	Request Quote

Product Downloads

General

Adjustable - Tip-Tilt

Type:

Circular

Type of Optics:

2

Number of Adjustment Screws:

Physical & Mechanical Properties

46 **Clear Aperture CA (mm):**

Construction:
Aluminum Plates, Stainless Steel Screws, and Brass Thread Bushings

Fine Tilt Angle (°):
±3.5

Fine Tip Angle (°):
±3.5

Adjustment Screw Pitch (mm):
0.25

Min. Thickness of Compatible Optics (mm):
2

Optical Axis Height (mm):
38.10

Threading & Mounting

Size of Compatible Optics (mm):
50.0 - 50.8

Compatible Post:
M6 x 1.0, M4 x 0.7, 8-32

Regulatory Compliance

RoHS 2015:
Compliant

Certificate of Conformance:
View

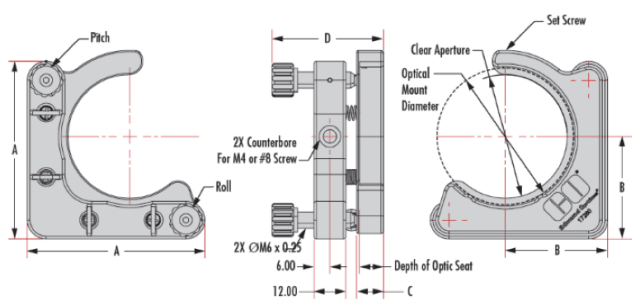
Reach 247:
Compliant

Product Details

- 120° Clear Edge for Mounting Beamsplitters and Transmissive Optics
- Economically Priced
- Essential Mounts for Experiments and OEM Systems

E-Series Clear Edge Kinematic Optical Mirror Mounts offer many features essential for applications in R&D, prototyping, and system integration. Featuring a 120° cut out, these mounts are ideal for mounting beamsplitters and transmissive optics while accommodating a wider beam path when mounted at a 45° angle. The two M6 x 0.25 (101.6 TPI) adjustment screws provide smooth movement and can be driven by hand or by Allen key (2mm key size) for tip and tilt optical adjustment and alignment (±3.5°). The adjustment screw knobs are removable to create a more compact form factor. E-Series Clear Edge Kinematic Optical Mirror Mounts feature mounting holes with both a counterbore designed to accommodate M4 or 8-32 mounting hardware, and M6 x 1.0 internal threads for increased mounting versatility and direct compatibility to [TECHSPEC® Stainless Steel Mounting Posts](#) and [Pedestal Posts](#).

Technical Information



Dimensions				
Optical Mount Dia. (mm)	A (mm)	B (mm)	C (mm)	D (mm)
12.5/12.7	43.5	25.4	8.0	39.5
25/25.4	43.5	25.4	8.0	39.5
50/50.8	66.0	38.1	10.0	41.5