

[See all 12 Products in Family](#)

50.0mm w/ micrometer, Polarizer Mount



Stock #56-329 **20+ In Stock**

− 1 + A\$912⁰⁰

ADD TO CART

Volume Pricing

| | |
|------------|-------------------------------|
| Qty 1-4 | A\$912.00 each |
| Qty 5-25 | A\$821.60 each |
| Qty 26-49 | A\$756.32 each |
| Need More? | Request Quote |

Product Downloads

General

Adjustable - Rotary **Type:**

Circular **Type of Optics:**

Available in Quick Start Kit: [#17-526](#) **Note:**

Physical & Mechanical Properties

47.0 Clear Aperture CA (mm):

5 arcminutes Increments:

360 Coarse Rotation (°):

±4 Fine Rotation (°):

Hardware & Interface Connectivity

Micrometer Type of Drive:

Threading & Mounting

50.0 Size of Compatible Optics (mm):

9.0 (Max.) Thickness of Compatible Optics (mm):

M6 x 1.0 Compatible Post:

Polarizer Type of Mounting Optics:

Regulatory Compliance

[Exempt](#) RoHS 2015:

[View](#) Certificate of Conformance:

[Contains SVHC\(s\)](#) Reach 247:

Product Details

- Coarse and Fine Movement Available
- Black Anodized Aluminum
- [Posts](#) and [Post Holders](#) Required for Mounting

Metric Polarizer Mounts feature secure optic retainer, lever arm for smooth rotation, locking knob for repeatability and 360° scaled vernier. [Posts](#) and [Post Holders](#) are required for mounting to a breadboard. Micrometer version provides fine adjustment. Metric Polarizer Mounts, for Micrometer Driven version only: total travel of the 0.25mm pitch fine adjustment screw is 10°. Total angular rotation per rotation of knob is 20 minutes. *40mm total including 34mm diameter mounting tube.

Technical Information

| Diameter of Compatible Optics D | Clear Aperture CA | Drive Type | Mount Diameter A | Mount Thickness B | C | E | Stock No. |
|---------------------------------|-------------------|------------|------------------|-------------------|----|------|-------------------------|
| Standard | | | | | | | |
| 20.0 | 17 | Standard | 50 | 19 | 34 | 24.0 | #55-454 |
| 25.4 | 22 | Micrometer | 69 | - | - | 33.5 | #55-011 |
| 25.4 | 22 | Standard | 60 | 20 | 42 | 29.5 | #55-010 |
| 30.0 | 27 | Micrometer | 69 | - | - | 33.5 | #57-570 |
| 30.0 | 27 | Standard | 60 | 20 | 42 | 29.5 | #57-569 |
| 50.0 | 47 | Micrometer | 89 | - | - | 43.5 | #56-329 |
| 50.0 | 47 | Standard | 80 | 20 | 62 | 39.5 | #55-455 |
| Glan-Thompson Polarizer Mounts | | | | | | | |
| 25.4 | 18 | Micrometer | 69 | -* | - | 33.5 | #57-572 |
| 25.4 | 18 | Standard | 60 | 20* | 42 | 29.5 | #57-571 |

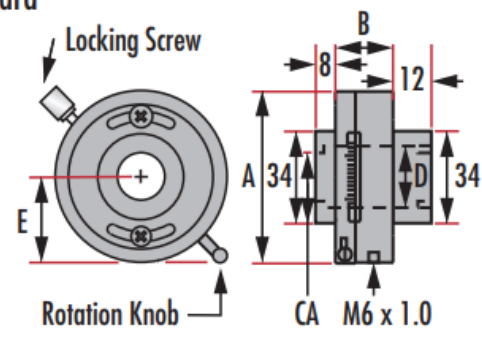
Polarizer Mounts

Standard



Glan-Thompson Mount

Standard



Micrometer Driven



Micrometer Driven

