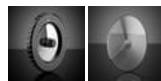


[See all 10 Products in Family](#)

## 50mm Diameter Substrate for Circular Variable Filter



Mounted Circular Variable Neutral Density (ND) Filters



Stock #47-376 CLEARANCE **20+ In Stock**

⊖ 1 ⊕ **A\$107<sup>20</sup>**

**ADD TO CART**

Volume Pricing	
Qty 1-10	<b>A\$107.20</b> each
Qty 11-25	<b>A\$96.80</b> each
Qty 26-49	<b>A\$92.00</b> each
Need More?	<a href="#">Request Quote</a>

### Product Downloads

### Physical & Mechanical Properties

7.5 Inner Diameter (mm):

50.00 Outer Diameter (mm):

1.52 Thickness (mm):

Parallelism (arcmin):

±3

## Optical Properties

B270

Substrate: □

60-40

Surface Quality:

## Regulatory Compliance

Certificate of Conformance:

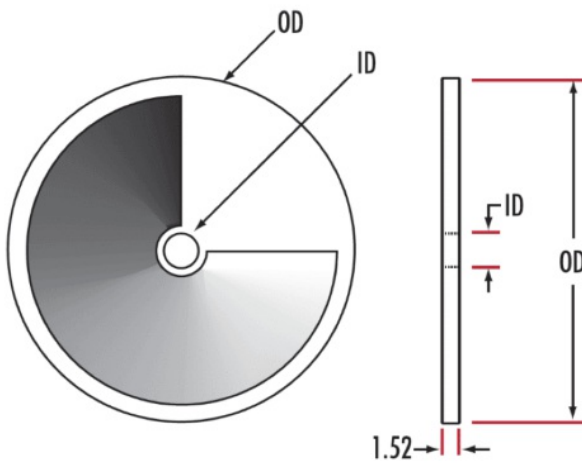
[View](#)

## Product Details

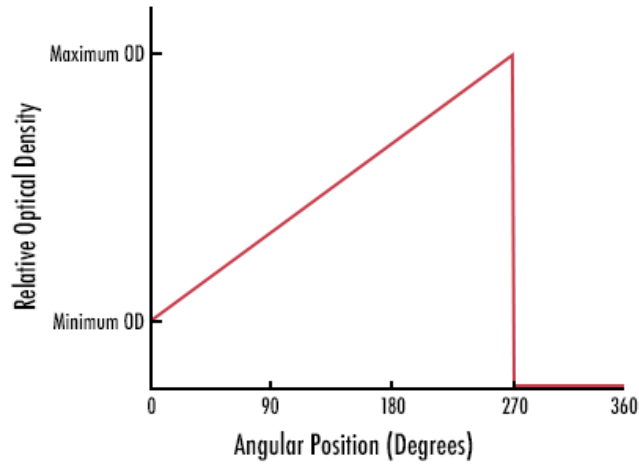
- Continuously Variable Over 270°
- Spectrally Flat from 400-700nm
- Mounted and Unmounted Versions Available

Circular Variable Neutral Density (ND) Filters are continuously variable over 270° of the filter. These filters provide linear attenuation of incident light by rotating the filter. Designed to be spectrally flat from 400 to 700nm, they provide excellent attenuation for spectrometers and other optical instruments. Circular Variable Neutral Density (ND) Filters, with a durable anodized aluminum mount, have an indicator arrow that accurately identifies the angular position of the filter for increased repeatability. The 50mm OD filters are available mounted or unmounted. The 360° rotating mount comes complete with a 4" Length, 0.5" Diameter stainless steel post.

## Technical Information



Circular Variable Filter



Optical Density	Unmounted			Mounted
	25.4mm Outer Diameter (OD) 7.5mm Inner Diameter (ID)	50.0mm Outer Diameter (OD) 7.5mm Inner Diameter (ID)	100.0mm Outer Diameter (OD) 25.4mm Inner Diameter (ID)	50.0mm Outer Diameter (OD) 7.5mm Inner Diameter (ID)
0.04-1.0	<a href="#">#43-759</a>	<a href="#">#43-763</a>	<a href="#">#43-767</a>	<a href="#">#54-534</a>
0.04-2.0	<a href="#">#43-760</a>	<a href="#">#43-764</a>	<a href="#">#43-768</a>	<a href="#">#54-535</a>
0.04-3.0	<a href="#">#43-761</a>	<a href="#">#43-765</a>	<a href="#">#43-769</a>	<a href="#">#54-536</a>
0.04-4.0	<a href="#">#43-762</a>	<a href="#">#43-766</a>	<a href="#">#43-770</a>	<a href="#">#54-537</a>