

**TECHSPEC® 50mm Diameter, T-Mount Thick Optic Mount**



50mm Diameter, T-Mount Achromat/Thick Lens Mount, #88-944



Stock **#88-944** **20+ In Stock**

⊖ 1 ⊕ **A\$172<sup>00</sup>**

**ADD TO CART**

Volume Pricing

Qty 1-4	<b>A\$172.80</b> each
Qty 5-9	<b>A\$150.24</b> each
Qty 10-25	<b>A\$138.08</b> each
Need More?	<a href="#">Request Quote</a>

Product Downloads

**General**

Fixed **Type:**

Optic Mount (Fixed) **Function:**

**Type of Optics:**

Circular

## Physical & Mechanical Properties

32.5      **Extension Length (mm):**

35.95      **Total Length (mm):**

5.0      **Min. Thickness of Compatible Optics (mm):**

18.5      **Max. Thickness of Compatible Optics (mm):**

38.0      **Clear Aperture CA (mm):**

Black Anodized Aluminum (6061 T6)      **Construction:**

53.0      **Outer Diameter (mm):**

## Threading & Mounting

T-Mount      **Thread Type:**

50.0      **Diameter of Compatible Optics (mm):**

## Regulatory Compliance

[Compliant](#)      **RoHS 2015:**

[View](#)      **Certificate of Conformance:**

[Compliant](#)      **REACH 241:**

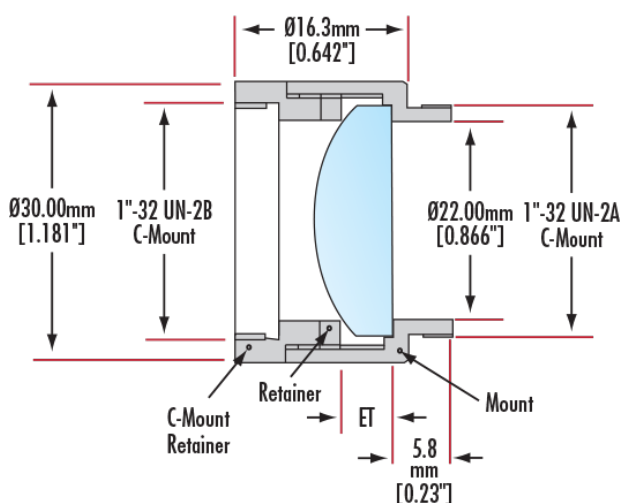
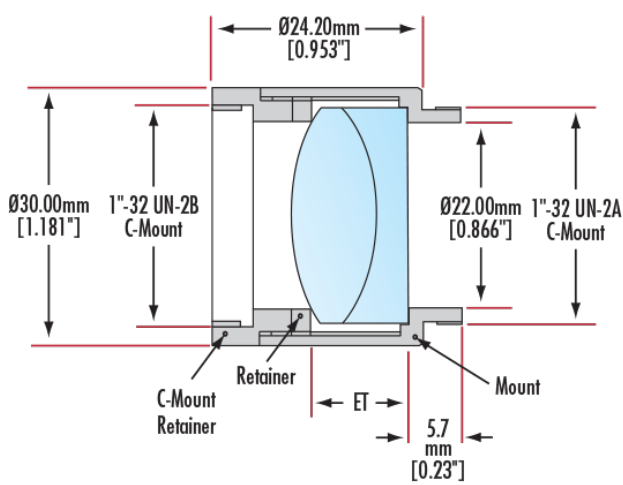
## Product Details

- Mounts for Simple Lenses, Achromats, Filters, or Reticles
- Designed to Integrate with Any C, S, or T-Mount Components
- Optic is Held in Place with Included Retaining Ring

TECHSPEC® C, S, and T-Mount Circular Optic Mounts are designed to mount a variety of circular optical components into C, S, or T-Mount compatible systems. An included threaded retainer ring, designed to accept a standard spanner wrench, securely holds the optical component. These circular optic mounts are compatible with a wide variety of Edmund Optics optomechanical components utilizing C, S, or T-Mount threads, such as [extension tubes](#) and [kinematic mounts](#). TECHSPEC® C, S, and T-Mount Circular Optic Mounts are threaded for 1" x 32TPI, M12 x 0.5, or M42 x 0.75 mounting, with 30mm, 16mm, and 48mm outer diameters, respectively. These mounts are ideal for creating and personalization of a diverse range of optical systems.

**Note:** #56-353, #56-354, #52-933, and #52-292 are all 3-part assemblies

## Technical Information





### S-Thread Simple / Thin Lens Mount

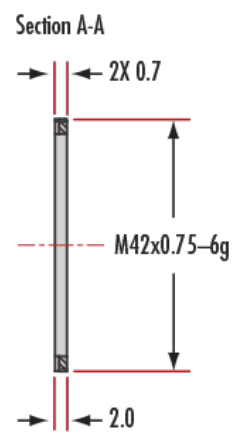


### S-Thread Simple /Thin Lens Mount



### S-Thread Achromat / Thick Lens Mount





#58-741