

TECHSPEC® 50mm Diameter, T-Mount Thin Optic Mount



50mm Diameter, T-Mount Thin Lens Mount, #88-943



Stock #88-943 **20+ In Stock**

- 1 + A\$164.⁰⁰

ADD TO CART

Volume Pricing

Qty 1-4	A\$164.80 each
Qty 5-9	A\$143.36 each
Qty 10-25	A\$131.84 each
Need More?	Request Quote

Product Downloads

General

Fixed **Type:**

Optic Mount (Fixed) **Function:**

Circular **Type of Optics:**

Physical & Mechanical Properties

22.0 Extension Length (mm):

25.45 Total Length (mm):

2.0 Min. Thickness of Compatible Optics (mm):

10.0 Max. Thickness of Compatible Optics (mm):

38.0 Clear Aperture CA (mm):

Black Anodized Aluminum (6061 T6) Construction:

53.0 Outer Diameter (mm):

Threading & Mounting

T-Mount Thread Type:

50.0 Diameter of Compatible Optics (mm):

Regulatory Compliance

Compliant RoHS 2015:

View Certificate of Conformance:

Compliant REACH 241:

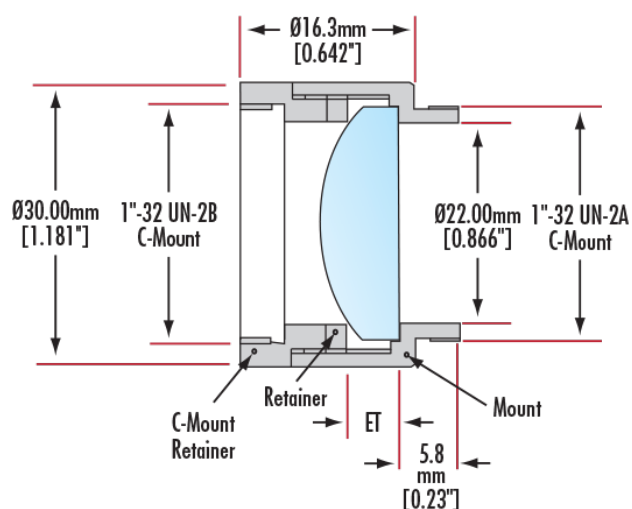
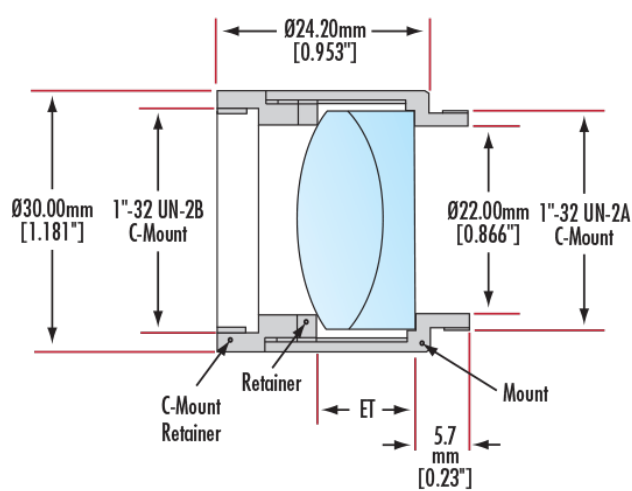
Product Details

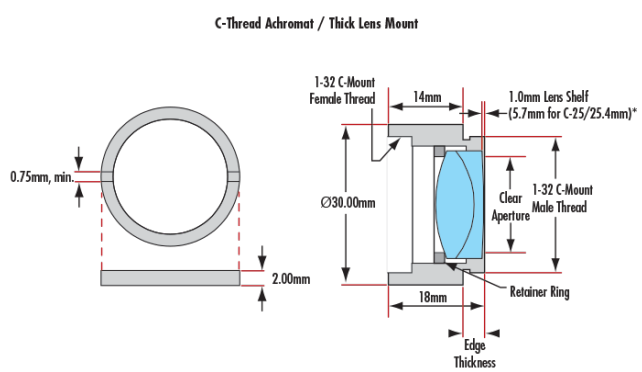
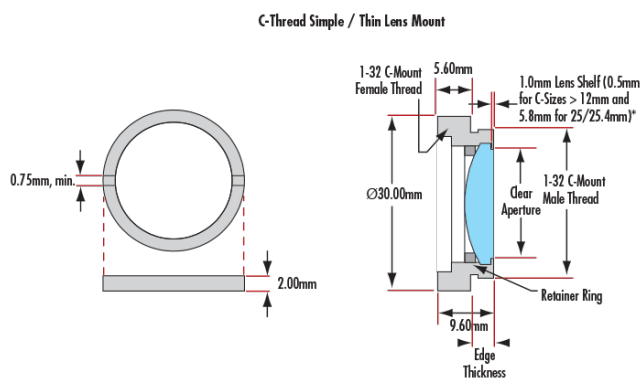
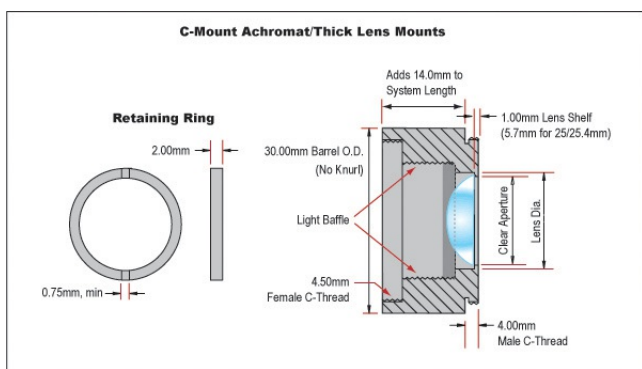
- Mounts for Simple Lenses, Achromats, Filters, or Reticles
- Designed to Integrate with Any C, S, or T-Mount Components
- Optic is Held in Place with Included Retaining Ring

TECHSPEC® C, S, and T-Mount Circular Optic Mounts are designed to mount a variety of circular optical components into C, S, or T-Mount compatible systems. An included threaded retainer ring, designed to accept a standard spanner wrench, securely holds the optical component. These circular optic mounts are compatible with a wide variety of Edmund Optics optomechanical components utilizing C, S, or T-Mount threads, such as [extension tubes](#) and [kinematic mounts](#). TECHSPEC® C, S, and T-Mount Circular Optic Mounts are threaded for 1" x 32 TPI, M12 x 0.5, or M42 x 0.75 mounting, with 30mm, 16mm, and 48mm outer diameters, respectively. These mounts are ideal for creating and personalization of a diverse range of optical systems.

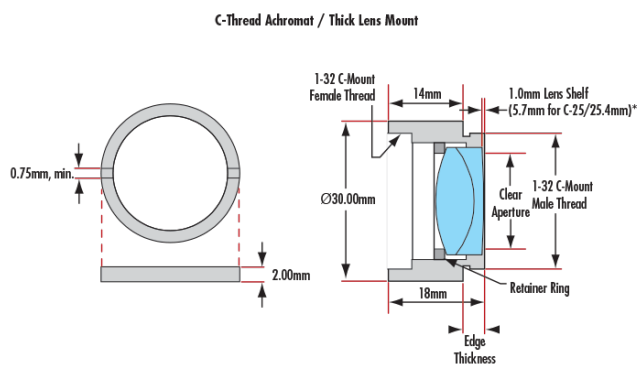
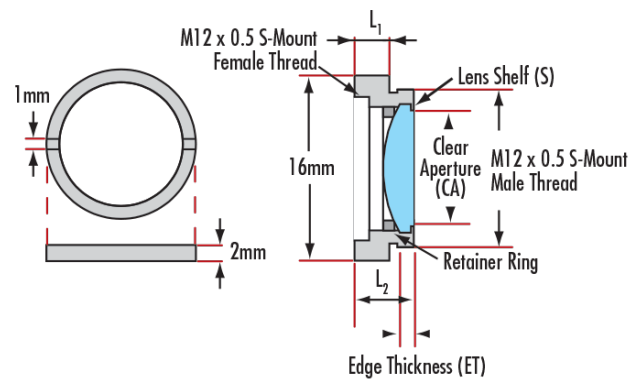
Note: #56-353, #56-354, #52-933, and #52-292 are all 3-part assemblies

Technical Information

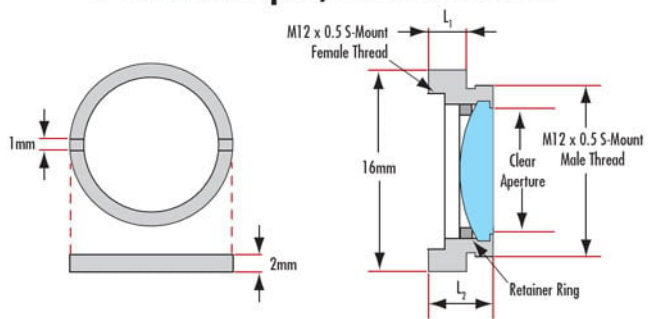




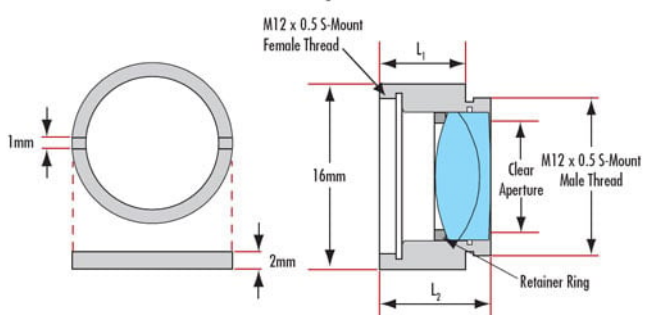
S-Thread Simple / Thin Lens Mount

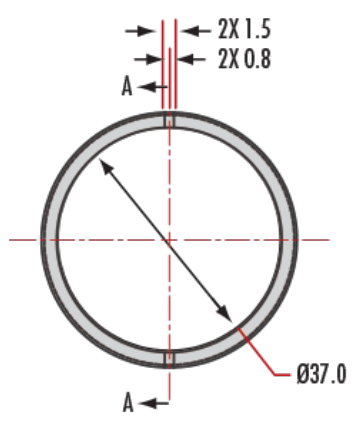


S-Thread Simple /Thin Lens Mount



S-Thread Achromat / Thick Lens Mount





#58-741

