

50mm MegaPixel Fixed Focal Length Lens



MegaPixel Fixed Focal Length Lenses

Stock **#56-790** **9 In Stock**

[Similar Products](#)

⊖ 1 ⊕ **A\$532⁰⁰**

ADD TO CART

Volume Pricing

Qty 1+	A\$532.00 each
Need More?	Request Quote

Product Downloads

General

Product Family:
MegaPixel Fixed Focal Length Lenses

Type:
Fixed Focal Length Lens

Physical & Mechanical Properties

Iris Option:
Variable

Length (mm):
38.10

33.50	Maximum Diameter (mm):
33.5	Outer Diameter (mm):
85.00	Weight (g):
0.90	Maximum Rear Protrusion (mm):

Optical Properties

63.00	Field of View @ Min Working Distance (mm):
7.60°	Horizontal Field of View, 1/2" Sensor:
11.00	Maximum Image Circle (mm):
50.00	Focal Length FL (mm):
500 - ∞	Working Distance (mm):
f/1.8 - f/16	Aperture (f/#):
-0.3	Maximum Distortion (%):
VIS	Lens Wavelength Range:

Sensor

2/3"	Maximum Sensor Format:
6.20	Pixel Size (µm):

Threading & Mounting

M30.5 x 0.50	Filter Thread:
C-Mount	Mount:

Regulatory Compliance

Exempt	RoHS 2015:
Contains SVHC(s)	Reach 224:
View	Certificate of Conformance:

Product Details

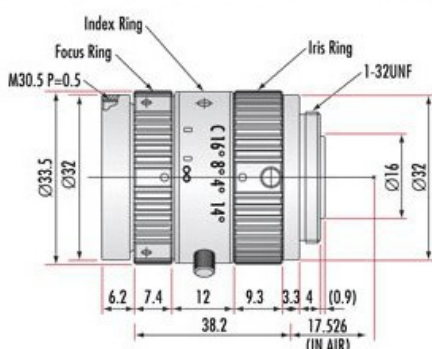
- Up to 2/3", C-Mount Lens
- Ideal for Machine Vision at an Economical Price
- 5mm to 75mm Focal Length

MegaPixel Fixed Focal Length Lenses are designed for high-resolution imaging. The lenses are ideal for machine vision applications with demanding space constraints. These lenses complement the resolution of many MegaPixel cameras with 1/2" or 2/3" formats. Low distortion and high resolution enable these economically priced lenses to produce sharp, high-contrast images compared to standard CCTV and compact lenses. MegaPixel Fixed Focal Length Lenses are available in focal lengths ranging from 5 to 75mm. Locking screws for the manual iris and focus allow these lenses to be used in high-vibration environments. Typical applications include [factory automation](#), inspection, and macro work.

Note: For #64-869 75mm FL Lens, remove focus limit screw to focus past 1.2m.

Technical Information

#56-790 50mm Megapixel Fixed Focal Length Lens



(Units in mm)

