

**TECHSPEC® C-Mount, SMA Fiber Connector Adapter**



SMA Fiber Adapter #63-946 with Fiber

Stock **#63-946** **20+ In Stock**

- 1 + A\$65<sup>20</sup>

**ADD TO CART**

Volume Pricing	
Qty 1-4	A\$65.20 each
Qty 5-9	A\$58.08 each
Qty 10-25	A\$54.24 each
Need More?	<a href="#">Request Quote</a>

Product Downloads

**General**

Fiber Patchcord **Type of Optics:**  
Optic Mount (Fixed) **Function:**

**Physical & Mechanical Properties**

3.00 **Thickness (mm):**

**Construction:**  
Black Anodized Aluminum Mount, Stainless Steel  
Fiber Connector

## Electrical

**Fiber Connection:**  
SMA

## Threading & Mounting

**Thread Type:**  
C-Mount

## Regulatory Compliance

**RoHS 2015:**  
[Compliant](#)

**Reach 224:**  
[Compliant](#)

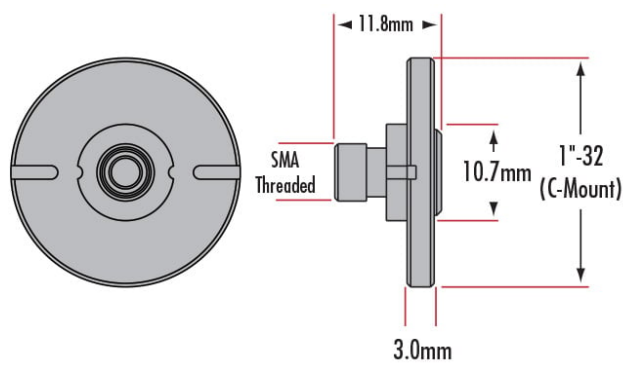
**Certificate of Conformance:**  
[View](#)

## Product Details

- C-Mount, S-Mount, SM1, and SM05 Threading
- Low Profile Designs for Minimal System Intrusion
- Available for SMA, FC, or FC/APC Fiber Connectors

Tube System Fiber Connector Adapters provide an easy and simple solution for integrating connectorized fiber into C-Mount, S-Mount, SM1 (1.035" x 40 TPI), or SM05 (0.535" x 40 TPI) systems. C-Mount Fiber Connector Adapters are available for SMA, FC, or FC/APC connectors. S-Mount Fiber Connector Adapters are available for SMA, FC, or FC/APC connectors. SM1 and SM05 Fiber Connector Adapters are available for FC/APC connectors. Connectors can be threaded into any female [C-Mount](#), [S-Mount](#), [SM1](#), or [SM05](#) component. Tube System Fiber Connector Adapters can be oriented in either direction for maximum flexibility. Optional housings are sold separately.

## Technical Information



#63-946