

## DIN microscope Objective Adapter, mounting screws included (B)



#53-858: DIN microscope Objective Adapter, mounting screws included (B)

Stock **#53-858** 1 In Stock

⊖ 1 ⊕ A\$148<sup>00</sup>

**ADD TO CART**

Volume Pricing	
Qty 1+	A\$148.80 each
Need More?	<a href="#">Request Quote</a>

### Product Downloads

### General

Adapter Brackets & Plates **Type:**

### Regulatory Compliance

**RoHS 2015:**  
[Compliant](#)

**Certificate of Conformance:**  
[View](#)

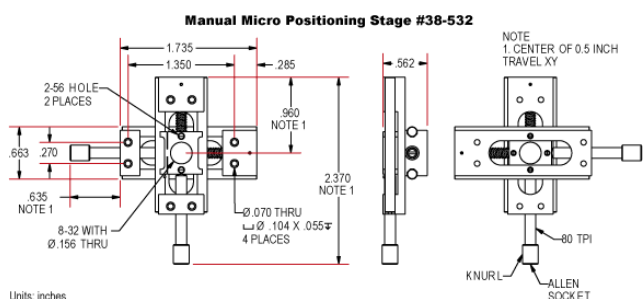
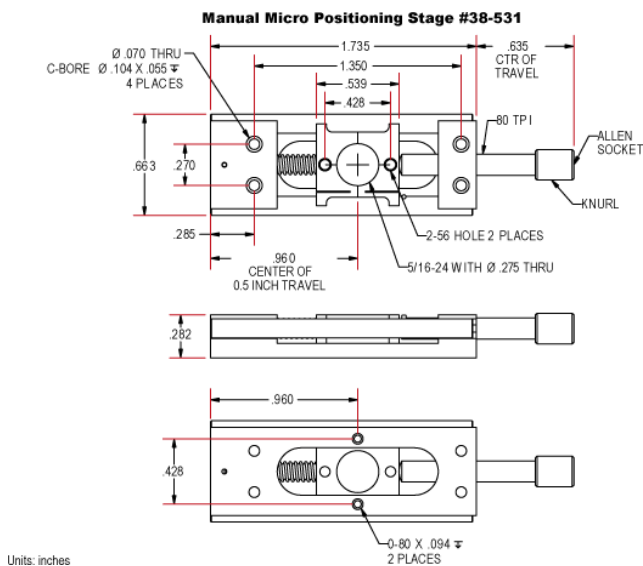
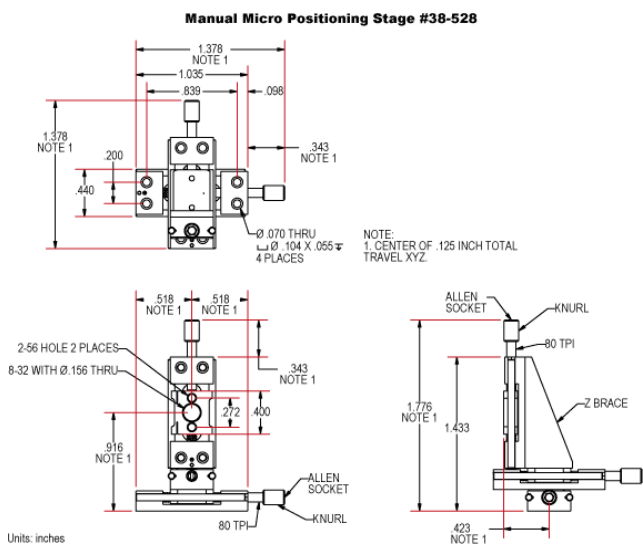
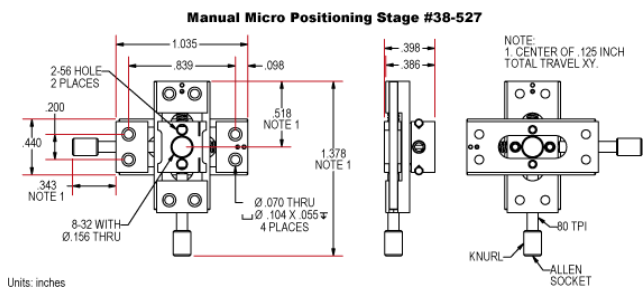
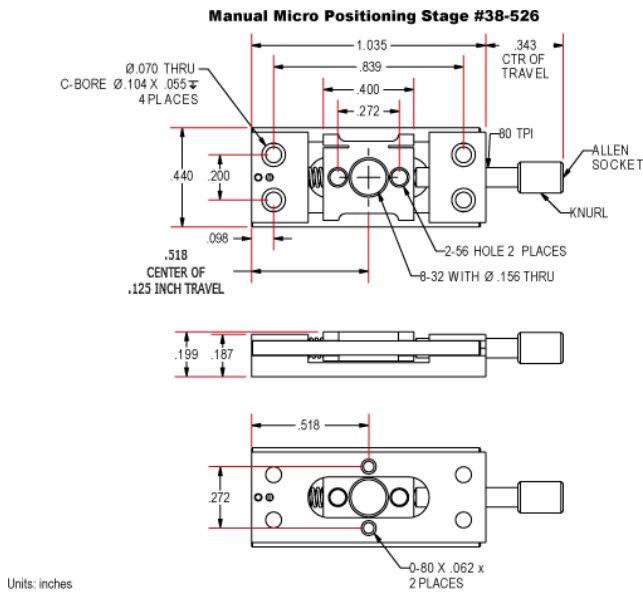
**REACH 241:**  
[Compliant](#)

## Product Details

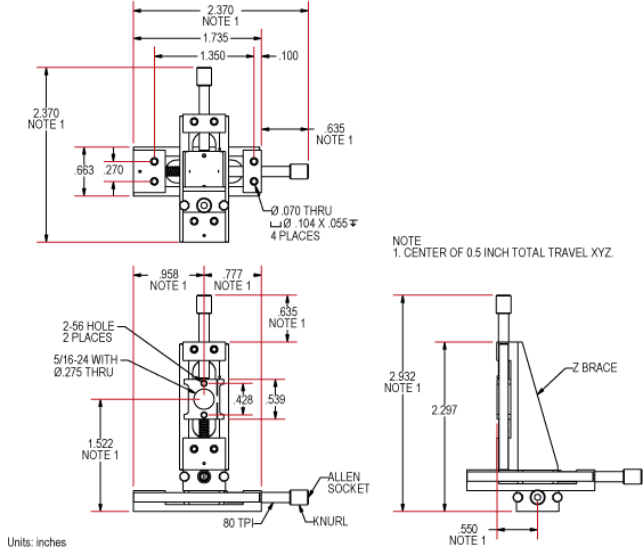
- Two Micro Sizes Available
- Versions with Covered Rails
- Three Travel Selections
- X, XY, and XYZ Axis Models

These stages are a dimensional breakthrough and the smallest positioners available today. Positive spring loaded carriage provides precise, smooth motion with no backlash. Straight line accuracy under 2 microns. Features fine 80 TPI lead screw drive. The larger series, Stage Size B, are for longer travel, higher load applications. Fully metric compatible clearance holes. Covered Rail versions are slightly wider, but offer protection for the guide rails. Accessories allow for mounting our precision pinholes for spatial filtering applications. Anodized aluminum construction with stainless rails.

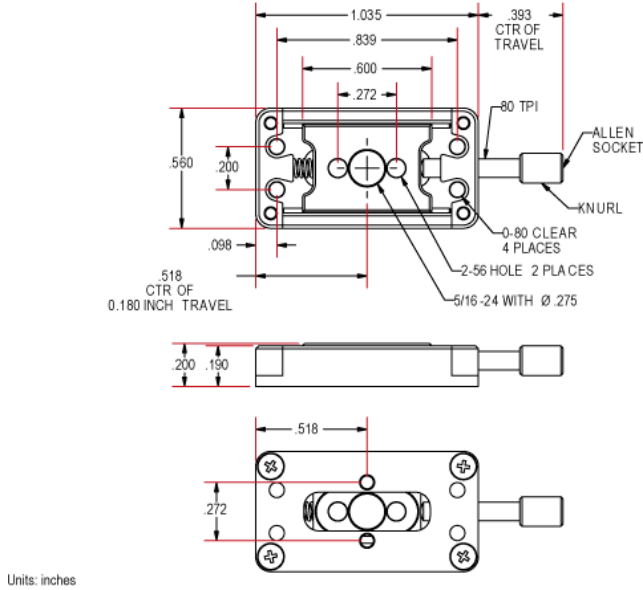
## Technical Information



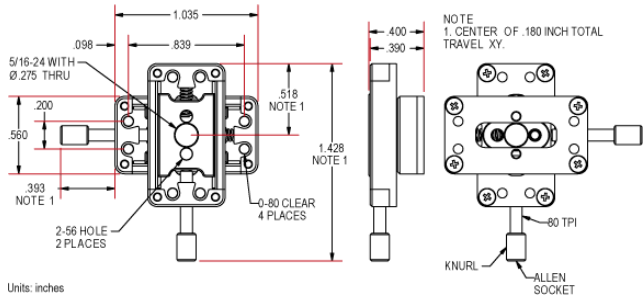
**Manual Micro Positioning Stage #38-533**



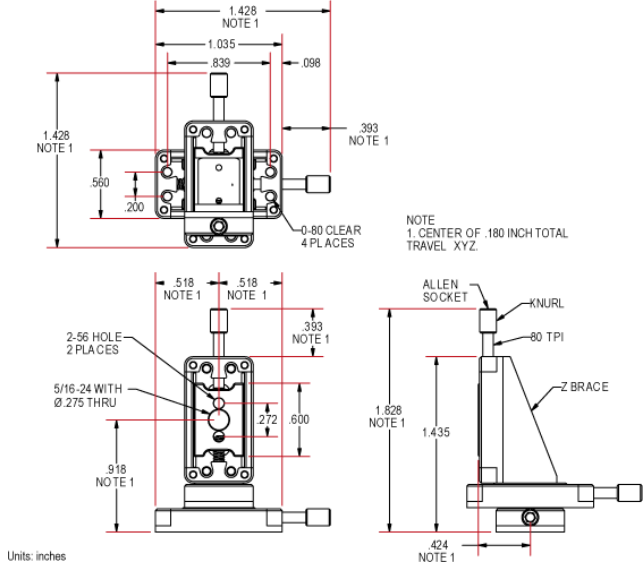
**Manual Micro Positioning Stage #56-416**



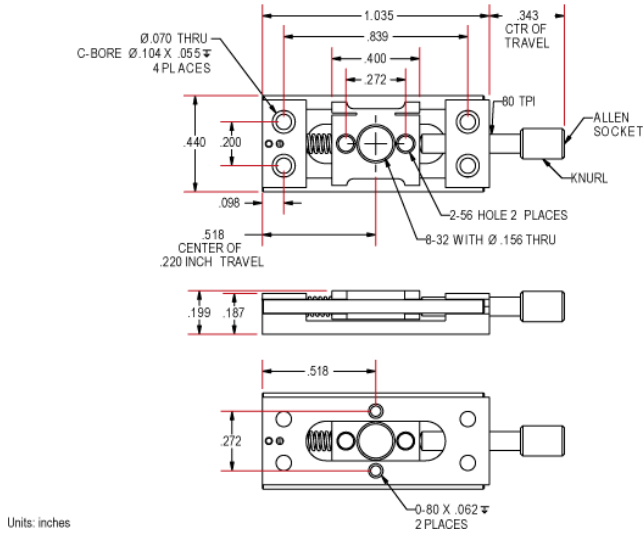
**Manual Micro Positioning Stage #56-417**



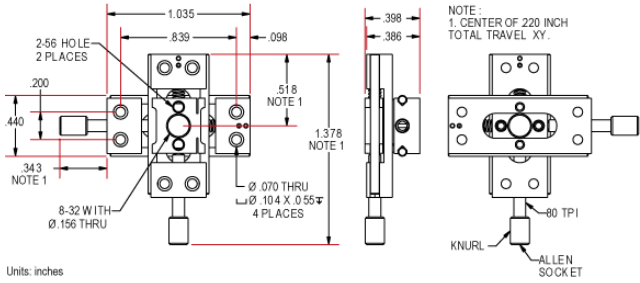
**Manual Micro Positioning Stage #56-418**



**Manual Micro Positioning Stage #56-419**

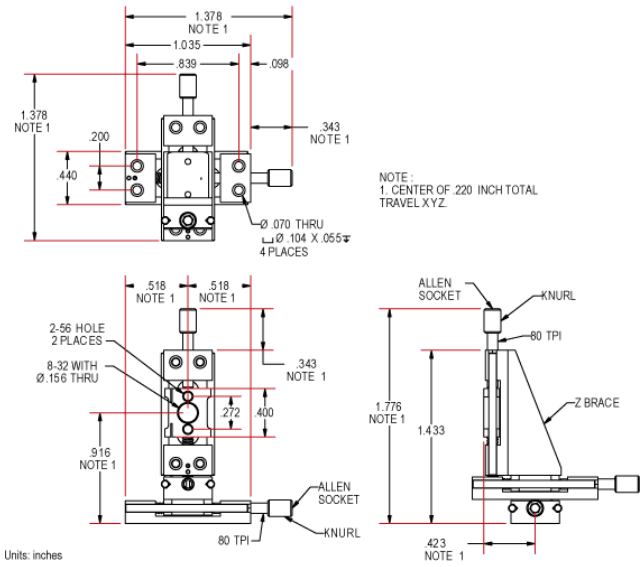


**Manual Micro Positioning Stage #56-420**



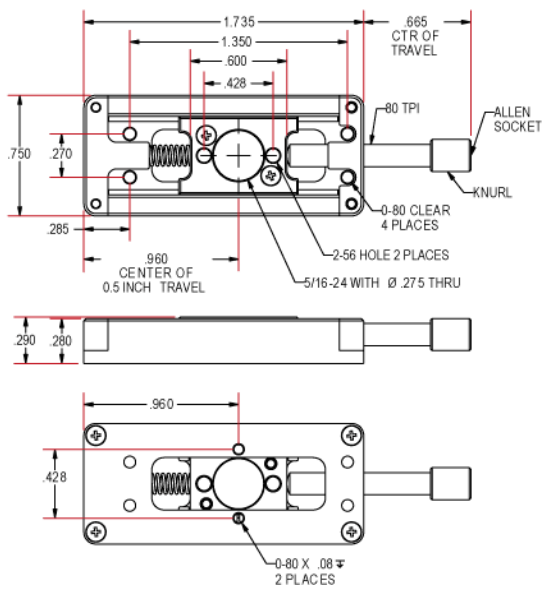
Units: inches

**Manual Micro Positioning Stage #56-421**



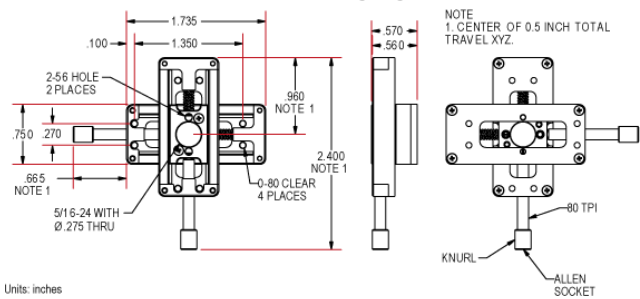
Units: inches

**Manual Micro Positioning Stage #56-422**



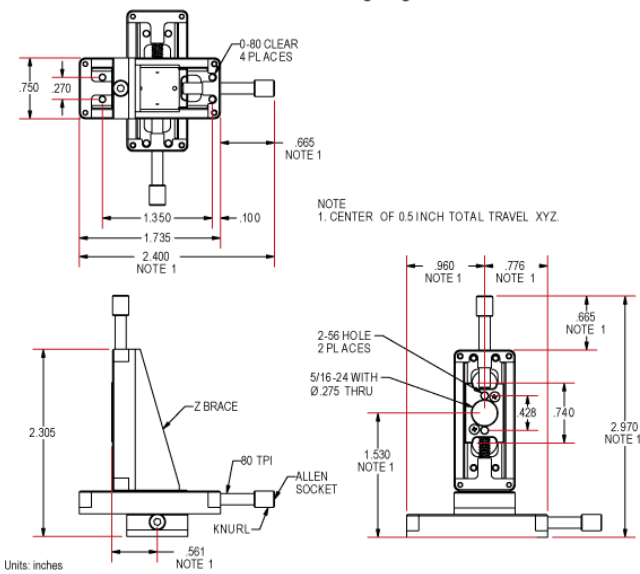
Units: inches

**Manual Micro Positioning Stage #56-423**

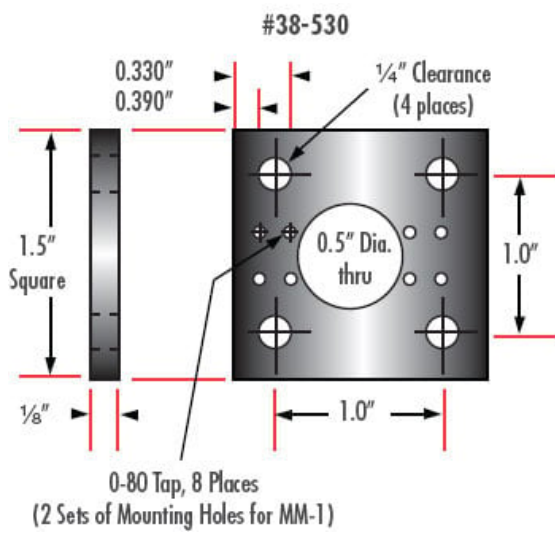


Units: inches

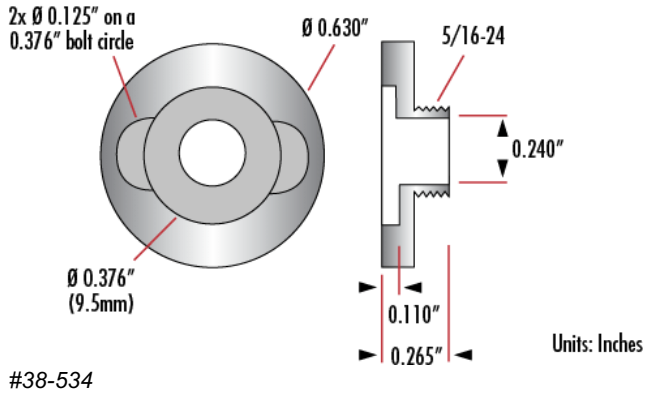
**Manual Micro Positioning Stage #56-424**



Units: inches



**Pinhole Adapter for Stage Type B, #38-534**



**Pinhole Adapter for Stage Type A, #38-529**

