

E-Series SM2 Adapter



E-Series SM2 Adapter (#18-287)

Stock **#18-287** [CONTACT US](#)

- 1 + **A\$38⁴⁰**

ADD TO CART

Volume Pricing

Qty 1-9	A\$38.40 each
Qty 10+	A\$36.80 each
Need More?	Request Quote

Product Downloads

General

Fixed **Type:**

Physical & Mechanical Properties

SM2 **Inner Diameter (mm):**

84 Dia. **Dimensions (mm):**

19.50 **Thickness (mm):**

Black Anodized Aluminum **Construction:**

76.2mm Dia. Optic Mounts **Size of Compatible Mount (mm):**

Regulatory Compliance

[Compliant](#) **RoHS 2015:**

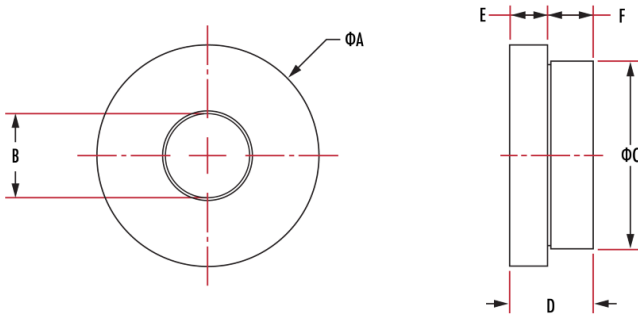
[View](#) **Certificate of Conformance:**

Product Details

- Adapt Kinematic or [Fixed Mirror Mounts](#) into [Tube Threaded Mounts](#)
- Available with [S-Mount](#), [C-Mount](#), [T-Mount](#), [SM05](#), [SM1](#), and [SM2](#) Threads
- Thru-Hole Versions Available for [Multi-Element Tube System](#) Components

E-Series Kinematic Mount Threaded Adapters are a simple way to turn any standard kinematic or fixed mirror mount into a threaded mount. Featuring common threads compatible with our [S-, C-, and T-Mount Tube System](#), [ID Tube System](#), and [Multi-Element \(ME\) Tube System](#), these adapters allow optical components from 3mm to 50.8mm diameter to be easily integrated with our [E-Series Kinematic Optical Mirror Mounts](#). Thru-hole adapters compatible with 30mm C-Mount Barrels, ID1 Lens Tubes, ME Tubes, and [Coherent® StingRay™ and BioRay™ Laser Diode Modules](#) are also available for added flexibility in building optical systems. E-Series Kinematic Mount Threaded Adapters are a cost-effective solution to add versatility to an optical system.

Technical Information



Dimensions (mm)						
Stock Number	A	B	C	D	E	F
18-282	30 Dia.	S-Mount	25.4 Dia.	11.20	5.00	5.70
18-283	56 Dia.	C-Mount	50.8 Dia.	16.50	8.00	8.00
18-284	56 Dia.	T-Mount	50.8 Dia.	16.50	8.00	8.00
18-285	30 Dia.	SM05	25.4 Dia.	11.20	5.00	5.70
18-286	56 Dia.	SM1	50.8 Dia.	16.50	8.00	8.00
18-287	84 Dia.	SM2	76.2 Dia.	19.50	8.00	11.00
18-289	56 Dia.	30	50.8 Dia.	18.50	10.00	8.00
18-291	29.9 Dia.	19.1	25.4 Dia.	21.00	15.00	5.50