

TECHSPEC® Filter Adapter M62 x 0.75 from M48 x 0.5 (Female)



M62 x 0.75 Filter Adapter for 12mm Lens, #34-236



Stock **#34-236** **20+ In Stock**

- 1 + **A\$65²⁰**

ADD TO CART

| Volume Pricing | |
|----------------|-------------------------------|
| Qty 1+ | A\$65.20 each |
| Need More? | Request Quote |

Product Downloads

General

Lens Accessory **Type:**

Physical & Mechanical Properties

Variable **Iris Option:**

Threading & Mounting

Filter Thread:

M62 x0.75 (Female)

Front Thread:

M48 x0.5 (Female)

Regulatory Compliance

Certificate of Conformance:

[View](#)

Product Details

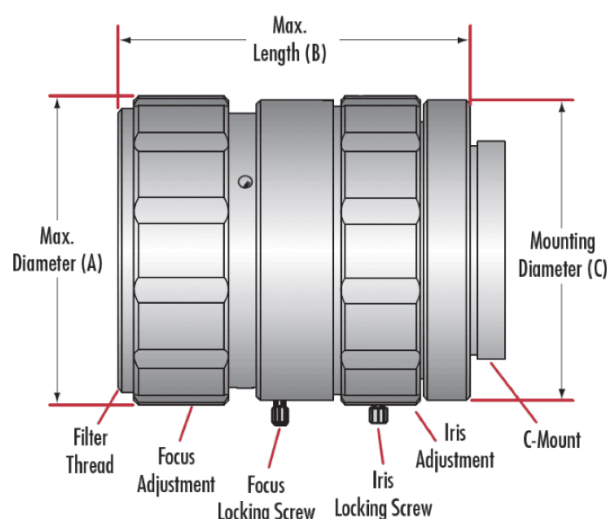
- 1.1", C-Mount Lens
- Up to 20 MegaPixels, 1.85µm Pixel Size Sensors
- High Performance (HP), C-Mount Lens for Machine Vision
- 6.5mm to 50mm Focal Length

TECHSPEC® HP Series Fixed Focal Length Lenses are designed for the harsh demands of [factory automation \(FA\)](#) and machine vision (M) applications. The 6.5mm, 8mm, 12mm, 16mm, 25mm, and 35mm lenses are compatible with 1" and 1.1" sensor formats, while the 50mm lens is compatible with up to 4/3" sensor formats. The f/1.8 and f/2.8 apertures provide increased light throughput and high resolution performance. TECHSPEC® HP Series Fixed Focal Length Lenses are C-Mount and feature a locking focus and iris rings to prevent unwanted adjustments, as well as a front filter thread for integrating standard optical filters. Call for OEM Quantity Pricing.

Edmund Optics has created a family of high performance optical designs (the HP Series family) and developed three customized optomechanical solutions targeted for specific applications. These lens sub-families utilize the same optics as the HP Series lenses providing the same optical performance in a variety of optomechanical solutions to meet your application requirements:

- **HP Series:** Features locking cam focus and iris adjustment. This is the most adjustable version of these optical designs and is the typical high quality machine vision lens.
- **HPi Series:** Simplified mechanics featuring fixed apertures with compact housing. [Industrial Ruggedization](#) for reduced size, cost, and locked focus.
- **HPr Series:** All optics glued in place and a locking C-clamp focus ring. [Stabilized Ruggedization](#) for reduced pixel shift and improved focus stability.

Technical Information



| Dimensions | | | | |
|-------------------|--------|--------|-------------|-------------------------------------|
| Focal Length (mm) | A (mm) | B (mm) | C (mm) | Filter Thread |
| 8mm, 1.1" Format | 70.4 | 83.5 | 43.5 | M105 x 1 with required adapter #8 |
| 12mm, 1.1" Format | 48 | 70.1 | 43.5 | M62 x0.75 with required adapter 236 |
| 16mm, 1" Format | 48 | 60.4 | 57.3 - 59.5 | M46 x0.75 |
| 25mm, 1" Format | 37.5 | 45.3 | 45.3 | M34 x0.5 |
| 35mm, 1.1" Format | 48.1 | 65.8 | 60 - 66 | M37 x0.75 |
| 50mm, 4/3" Format | 50 | 72.6 | 60.5 - 72.6 | M37.5 x0.5 |