

[See all 14 Products in Family](#)

## Filter Cube for Olympus BX2/IX2 Microscopes

See More by [Olympus](#)



#86-832

Stock **#86-832** **2 In Stock**

⊖ 1 ⊕ **A\$1,144<sup>00</sup>**

**ADD TO CART**

### Volume Pricing

|            |                               |
|------------|-------------------------------|
| Qty 1+     | <b>A\$1,144.00</b> each       |
| Need More? | <a href="#">Request Quote</a> |

### Product Downloads

#### General

5653500 **Model Number:**

Fluorescence Filter Kit **Type:**

Olympus **Manufacturer:**

**Dimensions of Compatible Optics (mm):**  
Excitation Filter: 25mm Dia.  
Emission Filter: 25mm Dia.  
Dichroic Mirror: 38 x 26mm

Note:  
Compatible with Olympus BX2 and IX2 Series  
Microscope

## Threading & Mounting

### Thickness of Compatible Optics (mm):

Excitation Filters: up to 6mm  
Emission Filters: up to 6mm  
Dichroic Mirror: up to 1mm

## Regulatory Compliance

Certificate of Conformance:

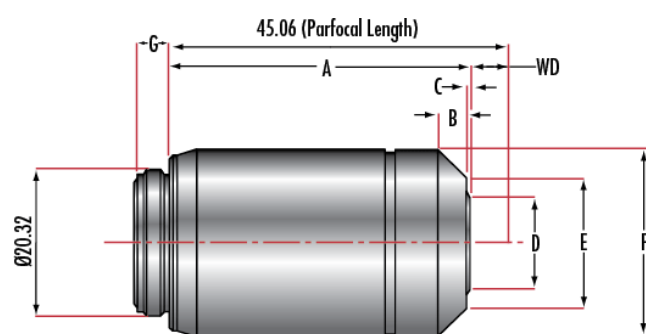
[View](#)

## Product Details

- Ideal for Brightfield, Darkfield, DIC, Fluorescence, or Polarization Microscopy
- Excellent Transmission in the UV
- High Numerical Apertures, Oil Immersion, and Variable Iris Options Available
- Additional [Olympus Infinity Corrected Objectives](#) Available

Olympus Plan Fluorite Objectives are multi-purpose objectives that utilize advanced multi-coatings to provide excellent flat field images from the UV to NIR. The objectives offer high signal-to-noise ratios, excellent resolution, and high contrast imaging capability. These objectives are ideal for brightfield microscopy or Nomarski differential interference contrast (DIC) observations, in addition to darkfield or fluorescence microscopy, or specific polarization techniques. Olympus Plan Fluorite Objectives are available in 4X up to 100X magnification. High Numerical Apertures, Oil Immersion, and Variable Iris options are available. Variable Iris options feature a correction collar to adjust the iris and reduce straylight to fine-tune the image as needed. Additional [Olympus Infinity Corrected Objectives](#) are also offered.

## Technical Information



|   | Stock #                | A    | B    | C   | D    | E    | F    | G   |
|---|------------------------|------|------|-----|------|------|------|-----|
| UPLFLN 4X                                   | <a href="#">86-817</a> | 27.9 | 2.8  | 0.0 | 18.0 | 18.0 | 24.0 | 4.5 |
| UPLFLN 10X                                  | <a href="#">86-818</a> | 34.9 | 10.1 | 0.0 | 13.6 | 13.6 | 24.0 | 4.5 |
| UPLFLN 20X                                  | <a href="#">86-819</a> | 42.8 | 5.3  | 2.3 | 9.4  | 15.8 | 26.0 | 4.5 |
| UPLFLN 40X                                  | <a href="#">86-820</a> | 44.4 | 5.1  | 4.0 | 8.5  | 16.0 | 26.0 | 4.5 |
| UPLFLN 60X                                  | <a href="#">86-822</a> | 44.7 | 5.2  | 2.7 | 8.6  | 17.0 | 29.0 | 4.7 |
| UPLFLN 60X Adjustable Iris (Oil Immersion)  | 91-765                 | 45.1 | 6.2  | 1.7 | 3.7  | 20.1 | 30.5 | 4.7 |
| UPLFLN 100X (Oil Immersion)                 | <a href="#">86-823</a> | 44.7 | 5.5  | 3.0 | 7.0  | 17.2 | 28.0 | 4.5 |
| UPLFLN 100X Adjustable Iris (Oil Immersion) | 91-766                 | 45.1 | 3.7  | 3.0 | 7.0  | 18.2 | 29.0 | 4.5 |