

Glan-Taylor Polarizer 200 - 350nm, 12.7mm



Glan-Taylor Polarizer

Stock **#89-550** **1 In Stock**

A\$2,392⁰⁰

ADD TO CART

Volume Pricing	
Qty 1-5	A\$2,392.00 each
Qty 6+	A\$2,232.00 each
Need More?	Request Quote

Product Downloads

General

Linear Polarizer **Type:**

Physical & Mechanical Properties

12.7 **Clear Aperture CA (mm):**

25.40 **Diameter (mm):**

Length (mm):

Crystalline Glan-Taylor Polarizer **Construction:**

Optical Properties

Single Layer MgF₂ **Coating:**

<5 x 10⁻⁶ **Extinction Ratio:**

α-BBO **Substrate:**

20-10 **Surface Quality:**

λ/2 @ 632.8nm **Transmitted Wavefront, P-V:**

<3 **Beam Deviation (arcmin):**

λ/4 @ 632.8 nm **Transmitted Wavefront Distortion (RMS):**

200 - 350 **Wavelength Range (nm):**

2 J/cm² @ 1064nm, 10ns, 10Hz **Damage Threshold, By Design:**

Regulatory Compliance

RoHS 2015:
Compliant

Certificate of Conformance:
View

Reach 247:
Compliant

Product Details

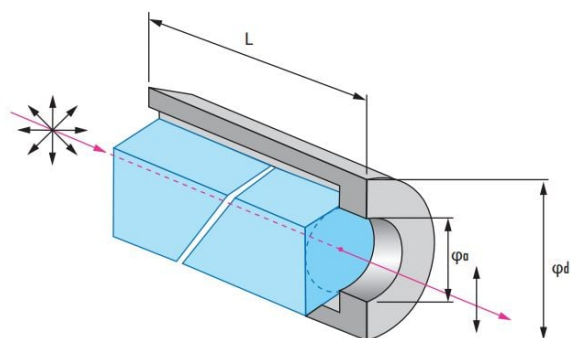
- High Extinction Ratios up to 200 000:1
- High Laser Damage Thresholds up to 5 J/cm² @ 1064nm

Glan-Type Polarizers are mounted, polarizing prisms used in applications that require broad spectral ranges, high extinction ratios, or high polarization purities. Glan-Taylor Polarizers are medium-power, air-spaced UV to NIR polarizers that transmit the extraordinary beam. The ordinary beam is then reflected and absorbed by black glass plates that have been cemented to the prism. Glan-Laser Polarizers are similar to Glan-Taylor, but are designed for higher power applications and appropriate for use in Q-switched laser cavities. Glan-Laser Polarizers utilize an advanced polishing technique for minimizing surface scatter and feature two escape windows for passing the high power rejected light. Glan-Thompson Polarizers are low power polarizers that are ideal for UV, visible, or NIR applications, feature a cemented design, and transmit the extraordinary beam while absorbing the reflected ordinary beam.

LASER OPTICS MADE BY EDMUND OPTICS®

[LEARN MORE](#)

Technical Information



Glan-Taylor Polarizers



Glan-Laser Polarizers



Glan-Thompson Polarizers