

[See all 10 Products in Family](#)

Glan-Taylor Polarizer 350 - 2300nm, 12.7mm



Glan-Taylor Polarizer

Stock **#89-548** [CONTACT US](#)

⊖ 1 ⊕ **A\$2,160⁰⁰**

ADD TO CART

Volume Pricing	
Qty 1-5	A\$2,160.00 each
Qty 6+	A\$2,056.00 each
Need More?	Request Quote

Product Downloads

General

Linear Polarizer **Type:**

Physical & Mechanical Properties

12.7 **Clear Aperture CA (mm):**

25.40 **Diameter (mm):**

Length (mm):

Construction:

Crystalline Glan-Taylor Polarizer

Optical Properties**Coating:**Single Layer MgF₂**Extinction Ratio:**<5 x 10⁻⁵**Substrate:**

Calcite

Surface Quality:

20-10

Transmitted Wavefront, P-V: $\lambda/2$ @ 632.8nm**Beam Deviation (arcmin):**

<3

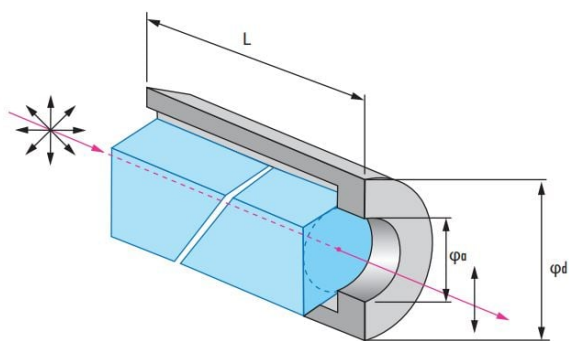
Transmitted Wavefront Distortion (RMS): $\lambda/4$ @ 632.8 nm**Wavelength Range (nm):**

350 - 2300

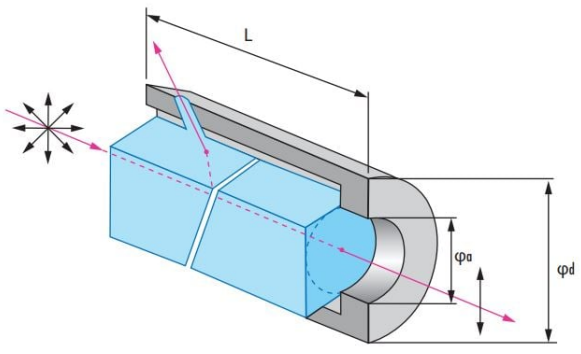
Damage Threshold, By Design: 2 J/cm² @ 1064nm, 10ns, 10Hz**Regulatory Compliance****RoHS 2015:****Compliant****Certificate of Conformance:****View****Reach 247:****Compliant****Product Details**

- High Extinction Ratios up to 200 000:1
- High Laser Damage Thresholds up to 5 J/cm² @ 1064nm

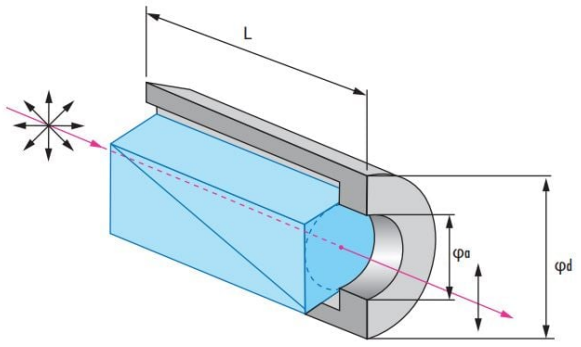
Glan-Type Polarizers are mounted, polarizing prisms used in applications that require broad spectral ranges, high extinction ratios, or high polarization purities. Glan-Taylor Polarizers are medium-power, air-spaced UV to NIR polarizers that transmit the extraordinary beam. The ordinary beam is then reflected and absorbed by black glass plates that have been cemented to the prism. Glan-Laser Polarizers are similar to Glan-Taylor, but are designed for higher power applications and appropriate for use in Q-switched laser cavities. Glan-Laser Polarizers utilize an advanced polishing technique for minimizing surface scatter and feature two escape windows for passing the high power rejected light. Glan-Thompson Polarizers are low power polarizers that are ideal for UV, visible, or NIR applications, feature a cemented design, and transmit the extraordinary beam while absorbing the reflected ordinary beam.

LASER OPTICS MADE BY EDMUND OPTICS®**LEARN MORE****Technical Information**

Glan-Taylor Polarizers



Glan-Laser Polarizers



Glan-Thompson Polarizers