

Iris Mount for 14.8mm Outer Diameter Irises



Iris Mount for 70mm Outer Diameter Irises, #53-921



Stock #23-120 **20+ In Stock**

1 **A\$76²²**

ADD TO CART

Volume Pricing	
Qty 1-4	A\$76.22 each
Qty 5-9	A\$68.72 each
Qty 10-25	A\$61.96 each
Need More?	Request Quote

Product Downloads

SPECIFICATIONS

Physical & Mechanical Properties

Compatible Iris Diameter (mm):

14.8

Outer Diameter (mm):

39.0

Thickness (mm):

6.00

Optical Axis Height (mm):

12.70

Threading & Mounting

Mounting Threads:

M4 x0.7 and 8-32

Set Screw Thread:

4-40

Regulatory Compliance

RoHS 2015:

Compliant

Certificate of Conformance:

[View](#)

Reach 235:

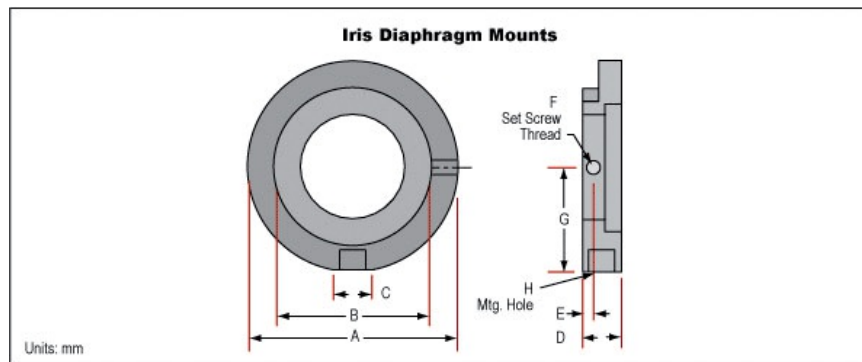
Compliant

PRODUCT DETAILS

- Multiple Iris Diameter Options Available
- Durable Anodized Aluminum Construction
- Set Screw Included

Iris Diaphragm Mounts fit our most popular sizes of [Iris Diaphragms](#) and are constructed from durable black anodized aluminum. These mounts feature a variety of different English post mounting options, and each utilize an included set screw to ensure a secure fit.

TECHNICAL INFORMATION



Iris Diameter	A	B	C	D	E	F	G	H	Stock No.
19.8	30.8	19.8	6.1	6.35	2.5	4-40	15.1	8-32	#53-918
37.0	50.8	37.0	9.0	9.5	2.8	6-32	25.0	1/4-20	#53-919
53.0	66.0	53.0	9.9	9.5	3.0	6-32	32.7	1/4-20	#53-920
70.0	86.0	70.0	10.1	9.5	3.8	6-32	42.7	1/4-20	#53-921
21.0	32.0	21.0	6.2	9.5	3.2	4-40	15.7	8-32	#54-862
38.0	52.0	38.0	9.1	9.5	3.2	6-32	25.6	1/4-20	#54-863
54.0	67.0	54.0	8.9	9.5	3.8	6-32	33.2	1/4-20	#54-864
72.0	88.0	72.0	10.3	11.5	3.8	6-32	43.7	1/4-20	#54-865

