

[See all 12 Products in Family](#)

## MFC-200 Compact Digital Counter

See More by [Nikon](#)



MFC-200 Compact Digital Counter

Stock **#29-230** [CONTACT US](#)

⊖ 1 ⊕ **A\$2,184<sup>00</sup>**

**ADD TO CART**

Volume Pricing	
Qty 1+	<b>A\$2,184.00</b> each
Need More?	<a href="#">Request Quote</a>

### Product Downloads

### General

Digital Counter **Type:**

MFC-200 **Model Number:**

**Note:**  
Includes Standard Measuring Probe  
Minimum Displayed Value: 0.1 μm (switchable to 0.05 μm or 1 μm)

Nikon **Manufacturer:**

## Physical & Mechanical Properties

95 **Weight (g):**

80(W) x 84.3(H) x 25.5(D) **Dimensions (mm):**

## Hardware & Interface Connectivity

**Power Supply:**  
12V 5A (#29-231 Power Supply and #29-232 Power Supply Cable Required)

## Environmental & Durability Factors

0 to +40 **Operating Temperature (°C):**

-20 to +60 **Storage Temperature (°C):**

## Regulatory Compliance

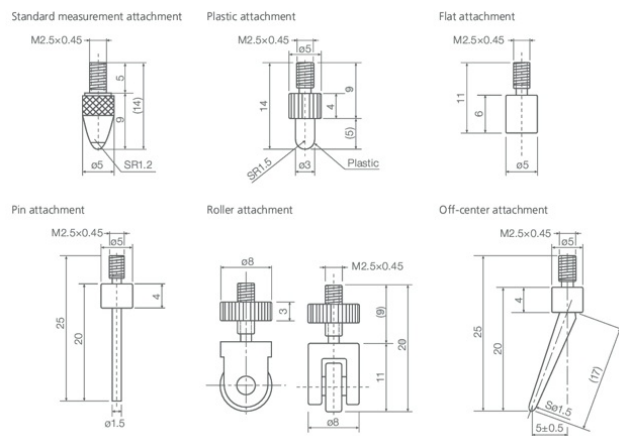
[View](#) **Certificate of Conformance:**

## Product Details

- 1µm Accuracy (at 20°C) and Measurement Length of 0 - 50mm
- 500mm/sec Maximum Response Speed
- Granite Platform Stand and 6 Measuring Probe Tips Available

The Nikon DIGIMICRO Digital Length Measuring System features a built-in, photoelectric, digital linear scale to provide precise contact-based thickness, depth, and height measurements of industrial materials. This measuring system has a 0 – 50mm measuring range and a 0.1µm minimum readable value at an accuracy of 1µm (at 20°C) with a response speed of 500mm/sec. The measurement head has 6 measuring probe tip options such as the standard, pin, plastic, off-center, flat, and roller tips for measurements of various materials. The Nikon DIGIMICRO Digital Length Measuring System is equipped with the MFC-200 Digital Counter for display and resolution switching, direction switching, and display unit switching functions. This measuring system is ideal industrial metrology applications requiring extreme precision and accuracy.

## Technical Information



PID4485\_Measurement\_Probes