

Mounted 48.0mm Iris Diaphragm



Stock #37-919 **4 In Stock**

⊖ 1 ⊕ A\$222⁴⁰

ADD TO CART

Volume Pricing

Qty 1-4	A\$222.40 each
Qty 5-9	A\$197.12 each
Qty 10-25	A\$182.24 each
Need More?	Request Quote

Product Downloads

General

Mounted **Type:**
Sold with Filter Holder and Post **Note:**

Physical & Mechanical Properties

30.0 **Maximum Aperture (mm):**

48.0	Outer Diameter (mm):
Construction: Brass Housing, Blue Tempered Steel Leaves	
6.0	Lever Diameter (mm):
10.0	Lever Length (mm):
12	Number of Leaves:
7.00	Thickness (mm):

Optical Properties

1.2	Minimum Aperture (mm):
-----	-------------------------------

Threading & Mounting

33.0	Diameter of Compatible Optics (mm):
2.0	Thickness of Compatible Optics (mm):

Regulatory Compliance

Exempt	RoHS 2015:
View	Certificate of Conformance:
Contains SVHC(s)	Reach 233:

Product Details

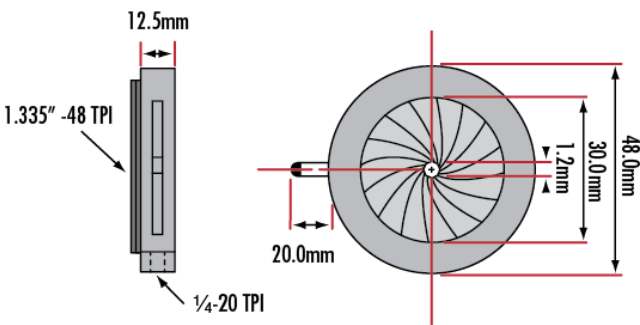
- Pre-mounted in Aluminum Mounts
- 8-32 or 1/4-20 Threading for Post Mounting
- Aperture Sizes Up to 50mm

Mounted Standard Series Iris Diaphragms can provide control of system $f/\#$ ($f/\#$ = focal length/effective diameter), field stop diameter, and overall energy throughput when incorporated into standard optical systems. It should be noted that the location of the iris is critical to how it will affect the system. All of these diaphragms offer exceptionally smooth operation over the lever travel, from maximum to minimum aperture (approximately 90°). These mounted diaphragms feature a tapped hole for easy post mounting. Mounted Standard Series Iris Diaphragms have blued spring steel leave construction and black housing finish with lever actuators that are available with a stainless steel "pin." These diaphragms are specifically designed for OEM integration and general laboratory use.

Note: Iris Diaphragm, [#37-919](#), is available with filter holder and post.

Technical Information

Iris Diaphragm with Filter Holder



A	B	C	D	E	Threading F	G	Threading H	Stock No.
30.8mm	19.8mm	6.1mm	6.35mm	2.5mm	4-40	15.1mm	8-32	#53-914
50.8mm	37.0mm	9.0mm	9.5mm	2.8mm	6-32	25mm	1/4-20	#53-915
66mm	53.0mm	8.9mm	9.5mm	3mm	6-32	32.7mm	1/4-20	#53-916
86mm	70.0mm	10.0mm	9.5mm	3.8mm	6-32	42.7mm	1/4-20	#53-917

Mounted Standard Series Iris Diaphragms

