

# MT-2 Accessory Tube Lens

See More by [Mitutoyo](#)



MT-2 Accessory Tube Lens, #56-863

Stock **#56-863** **1 In Stock**

1  **A\$1,744<sup>00</sup>**

**ADD TO CART**

### Volume Pricing

Qty 1+	A\$1,744.00 each
Need More?	<a href="#">Request Quote</a>

### Product Downloads

### General

MT-2 **Model Number:**

Tube Lens **Type:**

### Physical & Mechanical Properties

40.00 **Diameter (mm):**

32.00 **Length (mm):**

## Optical Properties

400.00	Focal Length FL (mm):
2X	Magnification:
436 - 656	Wavelength Range (nm):
30.00	Field Number (mm):
18.00	Entrance Pupil Diameter (mm):

## Threading & Mounting

three 2.4mm holes	Mounting Threads:
-------------------	-------------------

## Regulatory Compliance

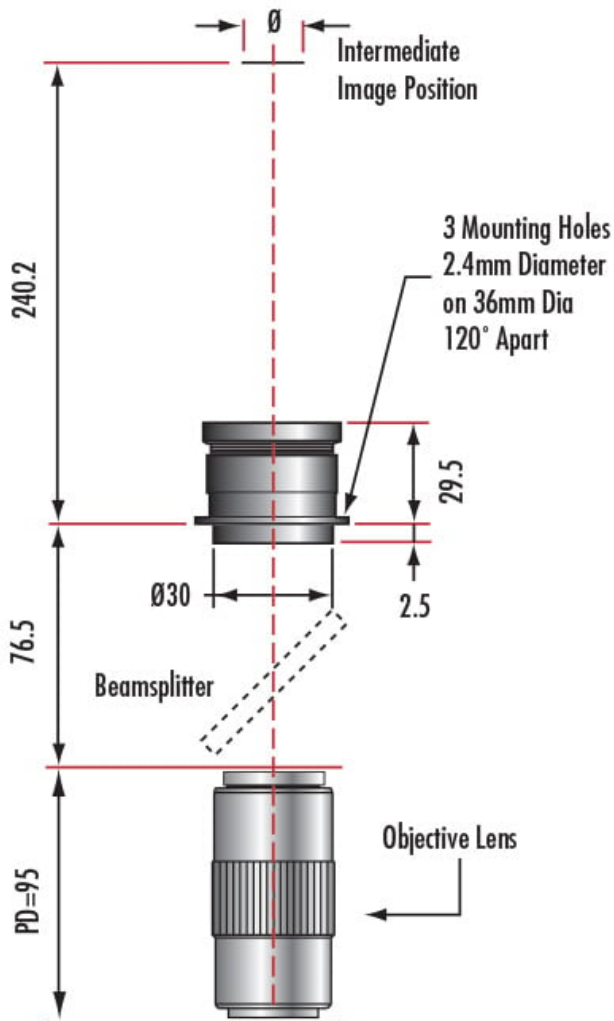
Exempt	RoHS 2015:
View	Certificate of Conformance:
Contains SVHC(s)	REACH 241:

## Product Details

- Creates an Image When Used With a Mitutoyo Objective
- Low Cost Alternative to [Mitutoyo VMU](#) and [FS-70 Microscopes](#)
- [Accessory Adapters](#) Available to Ease Integration with C-Mount Cameras

Mitutoyo Tube Lenses function as secondary lenses to form an image using any of the [Mitutoyo Infinity Corrected Objectives](#). They are economical alternatives to the [FS70 Microscope](#) or [Infinitube® In-line Assembly Unit](#). Several options are available, depending upon system requirements. The MT-4 and MT-40 are designed for end-user integration and can easily be used with any C-Mount camera with our Mitutoyo C-Mount Camera Extension Tube [#56-992](#). Mitutoyo Tube Lenses MT-4 Tube Lens is recommended for use with Objectives from 1X to 20X magnification, while the MT-40 is recommended for use with Objectives with >20X magnification. The MT-1 Tube Lens permits the introduction of a beamsplitter to the imaging path, allowing for a custom in-line illumination system. The MT-2 Tube Lens is similar to the MT-1 but with an effective focal length of 400mm, providing twice the stated magnification for any of the Mitutoyo objectives. The MT-L and MT-L4 lenses are designed for the [M Plan NUV](#) and [M Plan UV](#) series of objectives, respectively. [NIR and zoom tube lenses](#) are also available through our line of Precision Zoom Lenses.

## Technical Information



MT-2 #56-863

