

[See all 41 Products in Family](#)

Olympus MXPLFLN 20X Objective

See More by [Olympus](#)



23-721: Olympus MXPLFLN 20X Objective

Stock **#23-721** [CONTACT US](#)

⊖ 1 ⊕ **A\$6,064⁰⁰**

ADD TO CART

| Volume Pricing | |
|----------------|-------------------------------|
| Qty 1+ | A\$6,064.00 each |
| Need More? | Request Quote |

Product Downloads

General

Model Number:
MXPLFLN20X

Compatible Tube Lens Focal Length (mm):
Focal Length: 180mm

Type:
Brightfield

Style:
Infinity Corrected

Manufacturer:

Physical & Mechanical Properties

| | |
|-------|--------------------------------|
| 26.00 | Diameter (mm): |
| 1.33 | Field of View (mm): |
| 42.00 | Length excluding Threads (mm): |
| 26 | Maximum Diameter (mm): |

Optical Properties

| | |
|-----------|--|
| N/A | Compatible Cover Glass Thickness (mm): |
| 9.00 | Focal Length FL (mm): |
| 20X | Magnification: |
| 0.60 | Numerical Aperture NA: |
| 0.56 | Resolving Power (µm): |
| 0.61 | Depth of Field (µm): |
| 3 | Working Distance (mm): |
| 400 - 700 | Wavelength Range (nm): |
| 26.5 | Field Number (mm): |
| 45.06 | Parfocal Length (mm): |
| N/A | Immersion Liquid: |
| 10.80 | Entrance Pupil Diameter (mm): |

Threading & Mounting

| | |
|------------------------|-------------------|
| RMS / 20.32mm x 36 TPI | Mounting Threads: |
|------------------------|-------------------|

Regulatory Compliance

| | |
|----------------------|-----------------------------|
| View | Certificate of Conformance: |
|----------------------|-----------------------------|

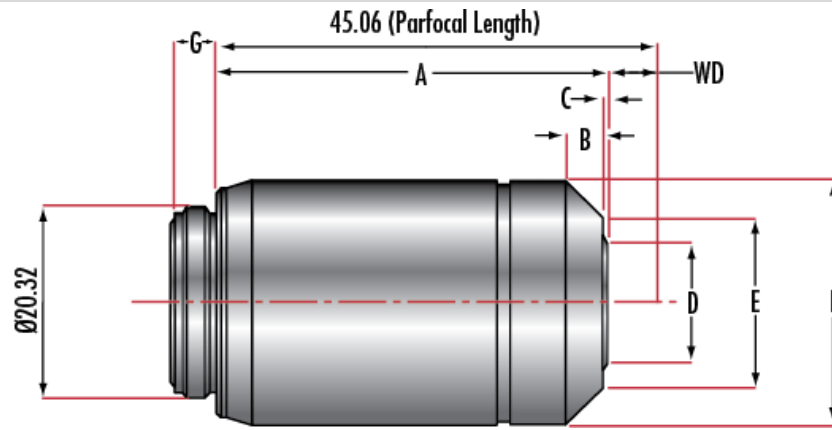
Product Details

- Ideal for Brightfield, DIC, Fluorescence, or Polarization Microscopy
 - Long Working Distances Reduce Risk of Specimen Damage
 - Excellent Transmission from 400 – 700nm
 - Additional [Olympus Infinity Corrected Objectives](#) Available
- Olympus MPlan Fluorite Semi Apochromat Infinity Corrected Objectives are ideal for a range of applications utilizing a variety of illumination methods. Olympus MPlan Fluorite Semi Apochromat Infinity Corrected Objectives offer long working distances to increase specimen safety, in addition to increased contrast for observation. These objectives feature standard pupil positions, which enable the use of multiple [prisms](#) or [polarizers](#) for differential interference contrast (DIC) optical microscopy applications.

Technical Information

| Stock # | Model | A | B | C | D | E | F | G | WD |
|-------------------------|-------------|------|-----|---|------|------|------|-----|------|
| #88-202 | LMPLFLN 5X | 22.5 | 0.3 | - | 25.4 | - | 26.0 | 4.9 | 22.5 |
| #88-203 | LMPLFLN 10X | 24.0 | 1.9 | - | 15.2 | 22.4 | 26.0 | 4.5 | 21.0 |
| #88-204 | LMPLFLN 20X | 33.0 | 3.7 | - | 17.0 | - | 26.0 | 4.8 | 12.0 |

| | | | | | | | | | |
|---------|--------------------------|------|------|------|------|------|------|-----|------|
| #88-205 | LMPLFLN 50X | 34.4 | 4.0 | - | 18.2 | - | 26.0 | 4.9 | 10.6 |
| #88-206 | LMPLFLN 100X | 41.6 | 3.8 | 0.5 | 12.5 | 18.1 | 26.0 | 4.7 | 3.4 |
| #16-880 | MPLFLN 1.25X | 41.5 | - | - | 28.6 | 29.0 | 30 | 4.9 | 3.5 |
| #39-573 | MPLFLN 2.5X | 34.3 | 2.7 | - | 24.5 | 29.0 | 30.0 | 4.9 | 10.7 |
| #88-332 | MPLFLN 5X | 25.0 | 2.5 | - | 20.9 | - | 26.0 | 4.5 | 20.0 |
| #88-333 | MPLFLN 10X | 34.0 | 5.6 | - | 14.5 | - | 26.0 | 4.5 | 11.0 |
| #23-721 | M X PLFLN 20X | 42.0 | 2.63 | 2.15 | 9 | 20.4 | 26 | 4.8 | 3 |
| #23-722 | M X PLFLN 50X | 42.0 | 3.4 | 1.96 | 10.3 | 19 | 26 | 4.5 | 3 |



| Stock # | Model | A | B | C | D | E | F | G | WD |
|---------|-----------------|------|-----|-----|------|------|------|-----|------|
| #86-827 | LMPLFLN-BD 5X | 30.0 | 2.6 | 3.4 | 16.2 | 29.5 | 32.0 | 5.0 | 15.0 |
| #86-828 | LMPLFLN-BD 10X | 35.0 | 2.1 | 2.7 | 15.5 | 30.0 | 32.0 | 4.5 | 10.0 |
| #86-829 | LMPLFLN-BD 20X | 33.0 | 1.2 | 0.5 | 22.0 | 30.0 | 32.0 | 4.5 | 12.0 |
| #86-830 | LMPLFLN-BD 50X | 34.4 | 1.2 | 1.4 | 20.7 | 28.0 | 32.0 | 4.8 | 10.6 |
| #86-831 | LMPLFLN-BD 100X | 41.7 | 1.2 | 4.0 | 21.0 | 29.0 | 32.0 | 4.7 | 3.3 |

