

[See all 14 Products in Family](#)

Olympus PLN 10X Objective

See More by [Olympus](#)



#86-813

Stock **#86-813** **6 In Stock**

⊖ 1 ⊕ **A\$662⁰⁰**

ADD TO CART

Volume Pricing

Qty 1+	A\$662.40 each
Need More?	Request Quote

Product Downloads

General

Model Number:
1-U2B223

Compatible Tube Lens Focal Length (mm):
Focal Length: 180mm

Type:
Microscope Objective

Style:
Infinity Corrected

Manufacturer:

Physical & Mechanical Properties

Field of View (mm):

2.2

Length excluding Threads (mm):

34.30

Maximum Diameter (mm):

24

Weight (g):

80.1

Optical Properties

Compatible Cover Glass Thickness (mm):

N/A

Focal Length FL (mm):

18.00

Magnification:

10X

Numerical Aperture NA:

0.25

Resolving Power (μm):

1.34

Depth of Field (μm):

4.40

Working Distance (mm):

10.6

Field Number (mm):

22

Parfocal Length (mm):

45

Immersion Liquid:

N/A

Depth of Focus (μm):

440

Threading & Mounting

Mounting Threads:

RMS / 20.32mm x 36 TPI

Regulatory Compliance

Certificate of Conformance:

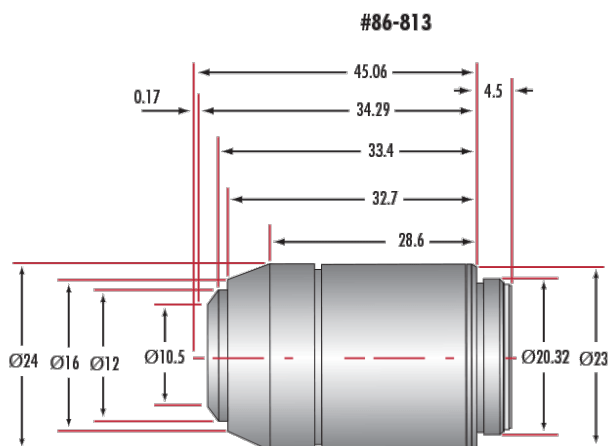
[View](#)

Product Details

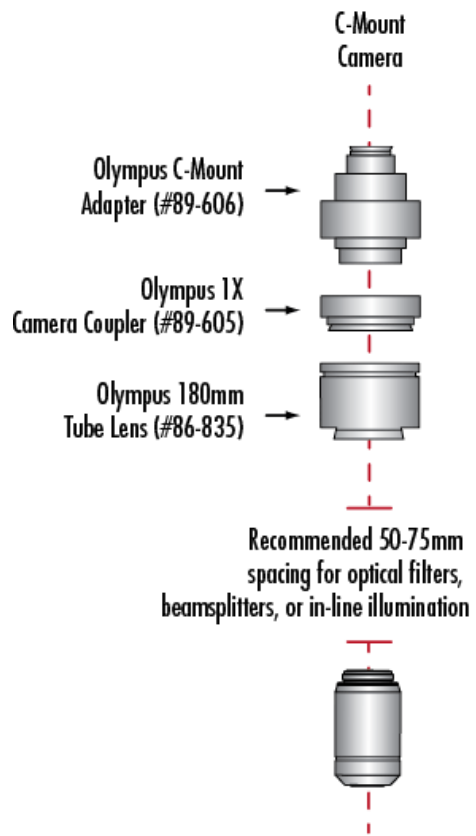
- Ideal for Brightfield, Darkfield, or Fluorescence Microscopy
- Excellent Price-to-Performance Ratio
- Suitable for Introductory and Advanced Optical Microscopy Applications
- Additional [Olympus Infinity Corrected Objectives](#) Available

Olympus Plan Achromatic Objectives are designed for clinical laboratory or examination applications. When using brightfield observation in a transmitted illumination system, Olympus Plan Achromatic Objectives provide excellent field flatness of up to F.N.22.

Technical Information



Using Olympus Objectives with C-Mount Cameras



	Stock #	A	B	C	D	E	F	G
PLN 2X	16-879	39.1	3.4	0.0	16.8	16.8	24.0	4.5
PLN 4X	86-812	26.4	4.4	0.0	15.8	15.8	24.0	4.5
PLN 10X	86-813	34.3	4.1	1.6	10.5	16.0	24.0	4.5
PLN 20X	86-814	43.7	4.2	2.4	6.1	15.6	24.0	4.8
PLN 40X	86-815	44.3	4.2	3.0	7.5	15.6	24.0	4.5
PLN 100X	86-816	44.7	4.2	2.5	6.6	15.6	24.0	4.5

