

# Olympus PLN 20X Objective

See More by [Olympus](#)



#86-814

Stock **#86-814** **4 In Stock**

⊖ 1 ⊕ **A\$816<sup>00</sup>**

**ADD TO CART**

Volume Pricing	
Qty 1+	<b>A\$816.00</b> each
Need More?	<a href="#">Request Quote</a>

## Product Downloads

### General

**Model Number:**  
PLN20X

**Compatible Tube Lens Focal Length (mm):**  
Focal Length: 180mm

**Type:**  
Microscope Objective

**Style:**  
Infinity Corrected

**Manufacturer:**

## Physical & Mechanical Properties

1.1 **Field of View (mm):**

43.70 **Length excluding Threads (mm):**

24 **Maximum Diameter (mm):**

112.0 **Weight (g):**

## Optical Properties

0.17 **Compatible Cover Glass Thickness (mm):**

9.00 **Focal Length FL (mm):**

20X **Magnification:**

0.40 **Numerical Aperture NA:**

0.84 **Resolving Power ( $\mu\text{m}$ ):**

1.72 **Depth of Field ( $\mu\text{m}$ ):**

1.2 **Working Distance (mm):**

22 **Field Number (mm):**

45 **Parfocal Length (mm):**

N/A **Immersion Liquid:**

688 **Depth of Focus ( $\mu\text{m}$ ):**

7.20 **Entrance Pupil Diameter (mm):**

## Threading & Mounting

RMS / 20.32mm x 36 TPI **Mounting Threads:**

## Regulatory Compliance

[Exempt](#) **RoHS 2015:**

[Contains SVHC\(s\)](#) **Reach 223:**

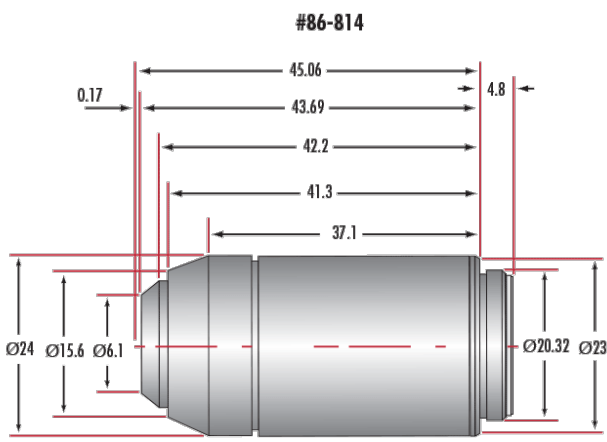
[View](#) **Certificate of Conformance:**

## Product Details

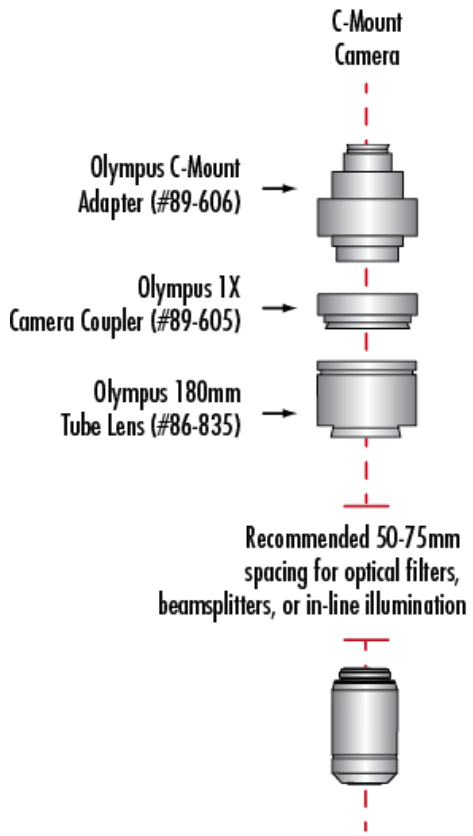
- Ideal for Brightfield, Darkfield, or Fluorescence Microscopy
- Excellent Price-to-Performance Ratio
- Suitable for Introductory and Advanced Optical Microscopy Applications
- Additional [Olympus Infinity Corrected Objectives](#) Available

Olympus Plan Achromatic Objectives are designed for clinical laboratory or examination applications. When using brightfield observation in a transmitted illumination system, Olympus Plan Achromatic Objectives provide excellent field flatness of up to F.N.22.

## Technical Information



**Using Olympus Objectives with C-Mount Cameras**



	Stock #	A	B	C	D	E	F	G
PLN 2X	16-879	39.1	3.4	0.0	16.8	16.8	24.0	4.5
PLN 4X	86-812	26.4	4.4	0.0	15.8	15.8	24.0	4.5
PLN 10X	86-813	34.3	4.1	1.6	10.5	16.0	24.0	4.5
PLN 20X	86-814	43.7	4.2	2.4	6.1	15.6	24.0	4.8
PLN 40X	86-815	44.3	4.2	3.0	7.5	15.6	24.0	4.5
PLN 100X	86-816	44.7	4.2	2.5	6.6	15.6	24.0	4.5

