

[See all 14 Products in Family](#)

# Olympus PLN 40X Objective

See More by [Olympus](#)



Olympus Plan Achromatic Objectives



Stock **#86-815** **4 In Stock**

A\$1,208<sup>00</sup>

**ADD TO CART**

Volume Pricing	
Qty 1+	A\$1,208.00 each
Need More?	<a href="#">Request Quote</a>

## Product Downloads

### General

Model Number:  
PLN40X

Compatible Tube Lens Focal Length (mm):  
Focal Length: 180mm

Type:  
Microscope Objective

Style:

Olympus **Manufacturer:**

### Physical & Mechanical Properties

**Field of View (mm):**  
0.55

**Length excluding Threads (mm):**  
44.30

**Maximum Diameter (mm):**  
24

**Weight (g):**  
110.6

### Optical Properties

**Compatible Cover Glass Thickness (mm):**  
0.17

**Focal Length FL (mm):**  
4.50

**Magnification:**  
40X

**Numerical Aperture NA:**  
0.65

**Resolving Power (µm):**  
0.52

**Depth of Field (µm):**  
0.65

**Working Distance (mm):**  
0.6

**Field Number (mm):**  
22

**Parfocal Length (mm):**  
45

**Immersion Liquid:**  
N/A

**Depth of Focus (µm):**  
1041

**Entrance Pupil Diameter (mm):**  
5.85

### Threading & Mounting

**Mounting Threads:**  
RMS / 20.32mm x 36 TPI

### Regulatory Compliance

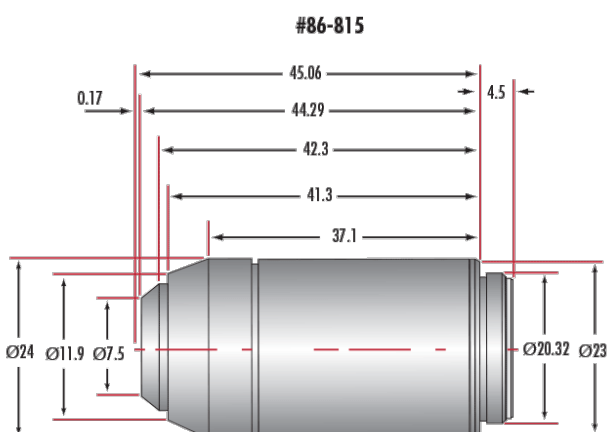
**Certificate of Conformance:**  
[View](#)

## Product Details

- Ideal for Brightfield, Darkfield, or Fluorescence Microscopy
- Excellent Price-to-Performance Ratio
- Suitable for Introductory and Advanced Optical Microscopy Applications
- Additional [Olympus Infinity Corrected Objectives](#) Available

Olympus Plan Achromatic Objectives are designed for clinical laboratory or examination applications. When using brightfield observation in a transmitted illumination system, Olympus Plan Achromatic Objectives provide excellent field flatness of up to F.N.22.

## Technical Information



## Using Olympus Objectives with C-Mount Cameras



	Stock #	A	B	C	D	E	F	G
PLN 2X	<a href="#">16-879</a>	39.1	3.4	0.0	16.8	16.8	24.0	4.5
PLN 4X	<a href="#">86-812</a>	26.4	4.4	0.0	15.8	15.8	24.0	4.5
PLN 10X	<a href="#">86-813</a>	34.3	4.1	1.6	10.5	16.0	24.0	4.5
PLN 20X	<a href="#">86-814</a>	43.7	4.2	2.4	6.1	15.6	24.0	4.8
PLN 40X	<a href="#">86-815</a>	44.3	4.2	3.0	7.5	15.6	24.0	4.5
PLN 100X	<a href="#">86-816</a>	44.7	4.2	2.5	6.6	15.6	24.0	4.5

