

[See all 11 Products in Family](#)

Olympus UMPLFLN 20XW Objective

See More by [Olympus](#)



Olympus UMPLFLN 20XW Objective, #34-556

Stock **#34-556** **1 In Stock**

1 **A\$4,104⁰⁰**

ADD TO CART

Volume Pricing	
Qty 1+	A\$4,104.00 each
Need More?	Request Quote

Product Downloads

General

Model Number:
UMPLFLN20XW

Compatible Tube Lens Focal Length (mm):
Focal Length: 180mm

Type:
Microscope Objective

Style:
Infinity Corrected

Manufacturer:

Physical & Mechanical Properties

1.33 **Field of View (mm):**

1.33

41.50 **Length excluding Threads (mm):**

41.50

21 **Maximum Diameter (mm):**

21

70 **Weight (g):**

70

Optical Properties

N/A **Compatible Cover Glass Thickness (mm):**

N/A

9.00 **Focal Length FL (mm):**

9.00

20X **Magnification:**

20X

0.50 **Numerical Aperture NA:**

0.50

0.67 **Resolving Power (μm):**

0.67

1.47 **Depth of Field (μm):**

1.47

3.5 **Working Distance (mm):**

3.5

400 - 700 **Wavelength Range (nm):**

400 - 700

26.5 **Field Number (mm):**

26.5

45 **Parfocal Length (mm):**

45

Water **Immersion Liquid:**

Water

9.00 **Entrance Pupil Diameter (mm):**

9.00

Threading & Mounting

RMS / 20.32mm x 36 TPI **Mounting Threads:**

RMS / 20.32mm x 36 TPI

Regulatory Compliance

[View](#) **Certificate of Conformance:**

[View](#)

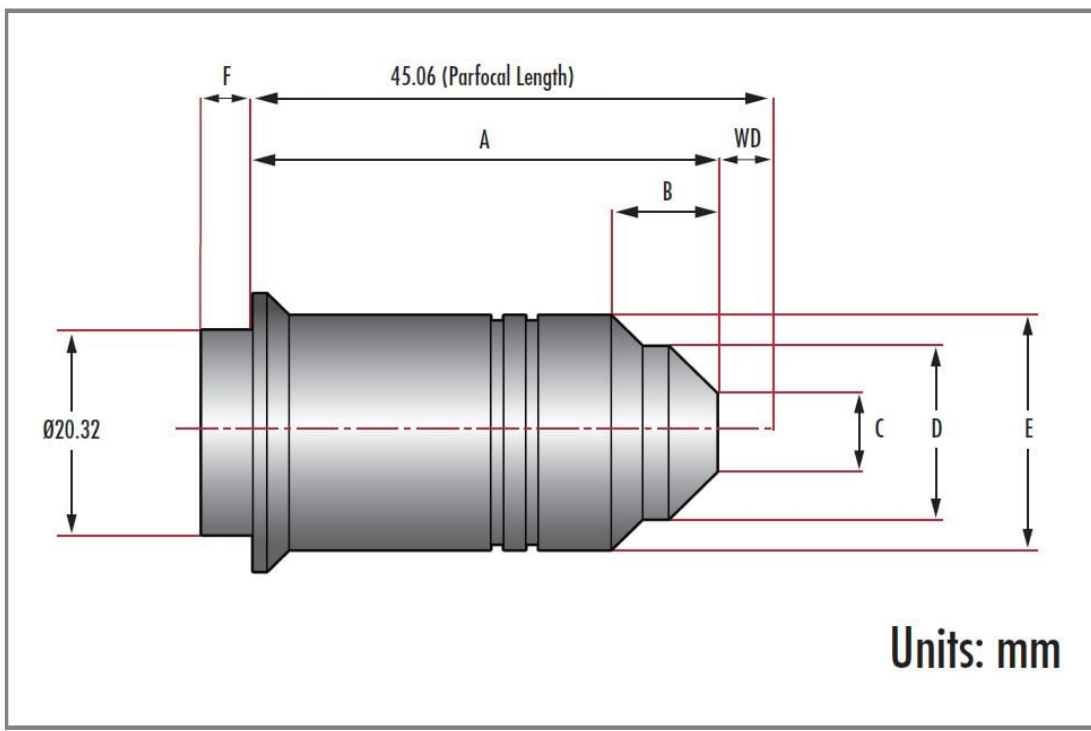
Product Details

- Water Immersion Objectives with Excellent DIC and Fluorescence
- Displays Flat Images From High Transmission Factors up to the Near-Infrared Region of the Spectrum
- Ideal for Fluorescence Imaging of Tissue and Specimens, such as Brain Tissue
- Magnification Ranges from 10X to 60X

Olympus Water Immersion Objectives offer low to high magnification with extremely high numerical apertures and long working distances. By using water in place of oil, you can effectively overcome common problems with aberrations. Similar to oil immersion objectives, these water immersion objectives are useful for thinly cut tissue sections and living cell imaging, along with other neuroscience applications. Olympus Water Immersion Objectives feature excellent transmission in the IR region, making these lenses suitable for IR-DIC and fluorescence applications. High numerical apertures also provide superb image quality in combination with most confocal laser microscopes.

Technical Information

	Stock #	A	B	C	D	E	F
UMPLFLN 10XW	#34-555	41.5	9.7	7	15.7	21	4.5
UMPLFLN 20XW	#34-556	41.5	9.7	7	15.7	21	4.5
LUMPLFLN 40XW	#34-557	41.7	9.9	7.2	15.8	21	4.5



;