

Physical & Mechanical Properties

Field of View (mm):

1.3

Length excluding Threads (mm):

42.80

Maximum Diameter (mm):

26

Weight (g):

120

Optical Properties

Compatible Cover Glass Thickness (mm):

0.17

Focal Length FL (mm):

9.00

Magnification:

20X

Numerical Aperture NA:

0.50

Resolving Power (µm):

0.67

Depth of Field (µm):

1.10

Working Distance (mm):

2.10

Wavelength Range (nm):

380 - 900

Field Number (mm):

26.5

Parfocal Length (mm):

45

Immersion Liquid:

N/A

Entrance Pupil Diameter (mm):

9.00

Threading & Mounting

Mounting Threads:

RMS / 20.32mm x 36 TPI

Regulatory Compliance

RoHS 2015:

[Exempt](#)

Certificate of Conformance:

[View](#)

Reach 247:

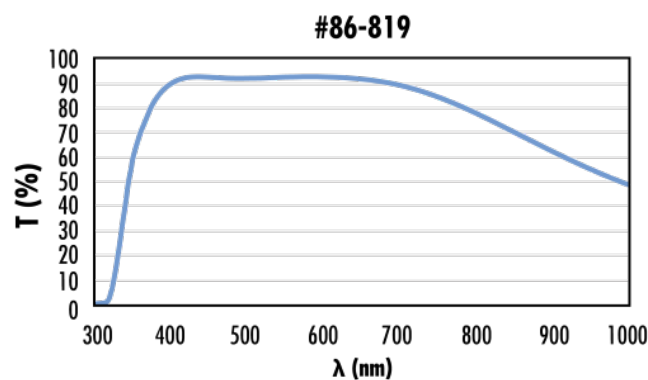
[Contains SVHC\(s\)](#)

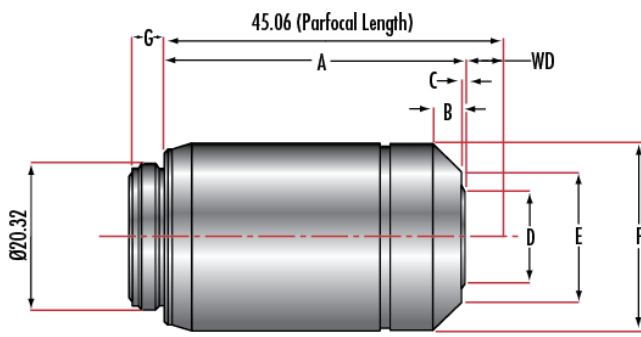
Product Details

- Ideal for Brightfield, Darkfield, DIC, Fluorescence, or Polarization Microscopy
- Excellent Transmission in the UV
- High Numerical Apertures and Oil Immersion Options Available
- Additional [Olympus Infinity Corrected Objectives](#) Available

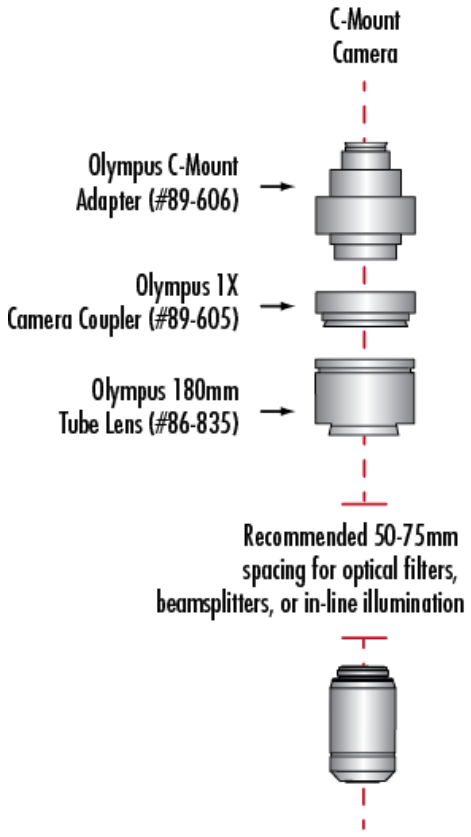
Olympus Plan Fluorite Objectives are multi-purpose objectives that utilize advanced multi-coatings to provide excellent flat field images from the UV to NIR. The objectives offer high signal-to-noise ratios, excellent resolution, and high contrast imaging capability. These objectives are ideal for brightfield microscopy or Nomarski differential interference contrast (DIC) observations, in addition to darkfield or fluorescence microscopy, or specific polarization techniques. Olympus Plan Fluorite Objectives are available in 4X up to 100X magnification. High Numerical Apertures and Oil Immersion options are available. Additional [Olympus Infinity Corrected Objectives](#) are also offered.

Technical Information





**Using Olympus Objectives
with C-Mount Cameras**



	Stock #	A	B	C	D	E	F	G
UPLFLN 4X	86-817	27.9	2.8	0.0	18.0	18.0	24.0	4.5
UPLFLN 10X	86-818	34.9	10.1	0.0	13.6	13.6	24.0	4.5
UPLFLN 20X	86-819	42.8	5.3	2.3	9.4	15.8	26.0	4.5
UPLFLN 40X	86-820	44.4	5.1	4.0	8.5	16.0	26.0	4.5
UPLFLN 60X	86-822	44.7	5.2	2.7	8.6	17.0	29.0	4.7
UPLFLN 100X (Oil Immersion)	86-823	44.7	5.5	3.0	7.0	17.2	28.0	4.5

