

[See all 12 Products in Family](#)

# Pin Attachment Measuring Probe

See More by [Nikon](#)



Pin Attachment Measuring Probe

Stock **#29-234** [CONTACT US](#)

1  **A\$92<sup>00</sup>**

**ADD TO CART**

## Volume Pricing

Qty 1+	<b>A\$92.00</b> each
Need More?	<a href="#">Request Quote</a>

## Product Downloads

### General

Measurement Probe **Type:**

Nikon **Manufacturer:**

### Regulatory Compliance

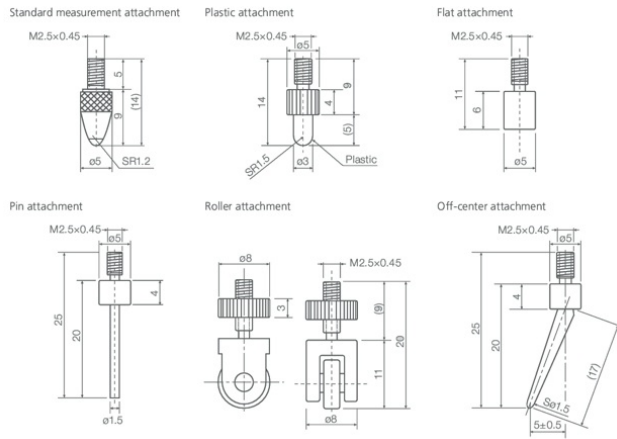
[View](#) **Certificate of Conformance:**

## Product Details

- 1µm Accuracy (at 20°C) and Measurement Length of 0 - 50mm
- 500mm/sec Maximum Response Speed
- Granite Platform Stand and 6 Measuring Probe Tips Available

The Nikon DIGIMICRO Digital Length Measuring System features a built-in, photoelectric, digital linear scale to provide precise contact-based thickness, depth, and height measurements of industrial materials. This measuring system has a 0 – 50mm measuring range and a 0.1µm minimum readable value at an accuracy of 1µm (at 20°C) with a response speed of 500mm/sec. The measurement head has 6 measuring probe tip options such as the standard, pin, plastic, off-center, flat, and roller tips for measurements of various materials. The Nikon DIGIMICRO Digital Length Measuring System is equipped with the MFC-200 Digital Counter for display and resolution switching, direction switching, and display unit switching functions. This measuring system is ideal industrial metrology applications requiring extreme precision and accuracy.

## Technical Information



PID4485\_Measurement\_Probes