

**TECHSPEC® RMS/C-Mount Turret**



C-Mount Manual Objective Turrets

Stock **#19-535** **2 In Stock**

⊖ 1 ⊕ **A\$1,440<sup>00</sup>**

**ADD TO CART**

Volume Pricing	
Qty 1-2	<b>A\$1,440.00</b> each
Qty 3+	<b>A\$1,368.48</b> each
Need More?	<a href="#">Request Quote</a>

Product Downloads

**Threading & Mounting**

Thread Type:

C-Mount  
Objective 0.8" x36 TPI (RMS)

**Regulatory Compliance**

RoHS 2015:

**Compliant**

Certificate of Conformance:

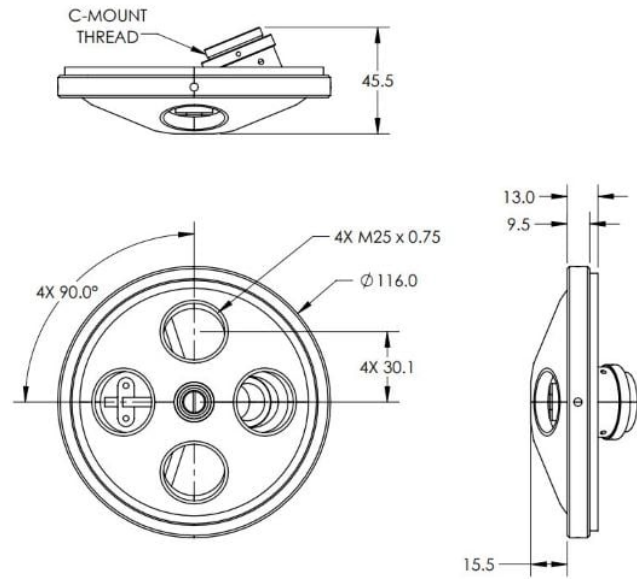
[View](#)

## Product Details

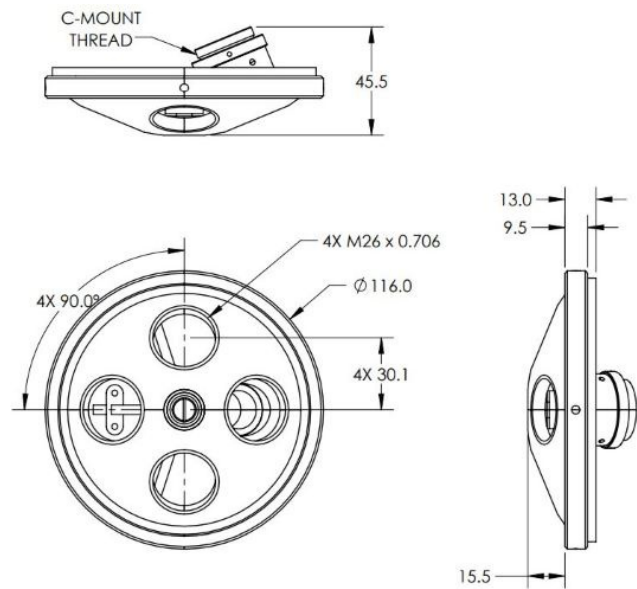
- C-Mount Tube System Compatibility for Creating Modular Microscope System
- Four Objective Positions
- [Mitutoyo](#) and [Nikon](#) Objective Compatibility

C-Mount Manual Objective Turrets are ideal for creating modular microscope systems using standard [C-Mount Tube System Components](#). Edmund Optics' broad range of C-mount Tube System Components offers maximum versatility when designing a microscope system, with direct C-Mount camera compatibility for imaging integration. With additional accessories, these objective turrets can be adapted to [S-Mount](#), [T-Mount](#), [ID1 \(SM1\)](#), and [Multi-Element Tube Systems](#), expanding their potential uses. C-Mount Manual Objective Turrets are offered with M26 x 0.706 threads for [Mitutoyo Objectives](#) and M25 x 0.75 threads for [Nikon Objectives](#). Each turret has four objective positions to maximize imaging system flexibility.

## Technical Information



#19-533



#19-534