

[See all 2 Products in Family](#)

4.0 - 36.0mm Optic Dia., Self-Centering Jaw Clamp



Self-Centering Jaw Clamps

Stock **#16-077** **9 In Stock**

⊖ 1 ⊕ A\$251⁰⁰

ADD TO CART

Volume Pricing

Qty 1-4	A\$251.20 each
Qty 5+	A\$221.44 each
Need More?	Request Quote

Product Downloads

General

Fixed **Type:**

Circular **Type of Optics:**

Physical & Mechanical Properties

74 **Height (mm):**

Outer Diameter (mm):

0.09 **Weight (lbs):**

Black Anodized Aluminum **Construction:**

Threading & Mounting

4.0 - 36.0 **Size of Compatible Optics (mm):**

M4 x0.7, 8-32 **Compatible Post:**

Regulatory Compliance

Compliant **RoHS 2015:**

View **Certificate of Conformance:**

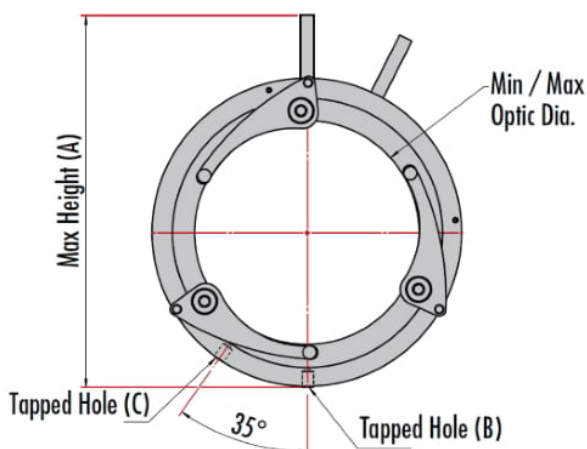
Compliant **Reach 247:**

Product Details

- Two Mount Sizes Available, for 4mm-36mm and 5mm-100mm Dia. Optics
- Optical Centerline Remains Constant Regardless of Optical Diameter
- Mounts Feature Both Metric and English Tapped Mounting Holes

Self-Centering Jaw Clamps are ideal for easily interchanging optics of different diameters in a system while maintaining a constant optical centerline of the system. Mounts are available for either mounting 4mm to 36mm diameter optics (#16-077) or 5mm to 100mm diameter optics (#16-078). The small jaw clamp features both M4 x0.7 and 8-32 tapped mounting holes, while the large jaw clamp features both M6 x1.0 and 1/4"-20 tapped mounting holes. The stainless-steel tipped jaws feature a v-groove to help vertical alignment of thinner optics. Self-Centering Jaw Clamps are directly mountable to [TECHSPEC® Stainless Steel Mounting Posts](#) and [Pedestal Posts](#).

Technical Information



Outer Diameter (mm)	Min. Optic Diameter (mm)	Max. Optic Diameter (mm)	A (mm)	B	C	Stock No.
58	4	36	74	#8-32	M4 x0.7	#16-077
138	5	100	166	1/4"-20	M6 x1.0	#16-078