

[See all 17 Products in Family](#)

SugarCUBE™ Light Guide Adapter - 50



SugarCUBE™ Light Guide Adapter - 50 (#66-301)

Stock **#66-301** **2 In Stock**

⊖ 1 ⊕ A\$56⁰⁰

ADD TO CART

Volume Pricing	
Qty 1+	A\$56.00 each
Need More?	Request Quote

Product Downloads

General

Accessory **Type of Illumination:**

Physical & Mechanical Properties

0.564" **Ferrule Diameter (inches):**

0.752" **Shoulder Diameter (inches):**

Regulatory Compliance

Compliant

RoHS 2015:

Compliant

Reach 224:

Certificate of Conformance:

[View](#)

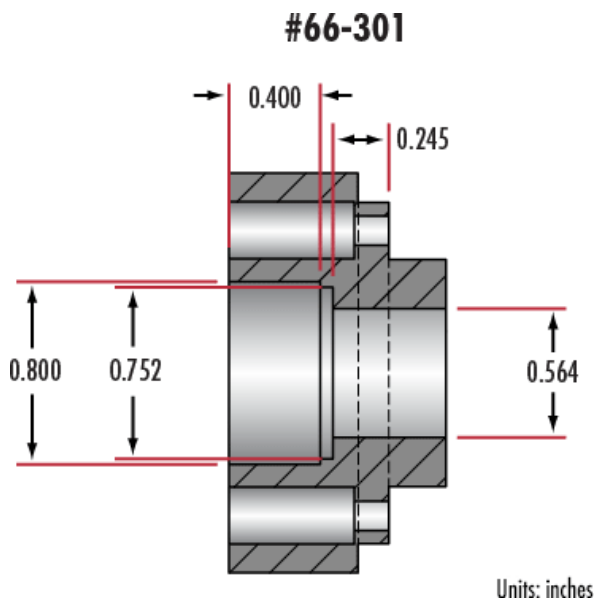
Product Details

- Direct Replacement for 150W Halogen Illuminators
- 50% Power Savings Compared To Halogen Source
- More than 60,000 Hour LED Lifetime
- For Use with [Fiber Optic Light Guides](#)

SugarCUBE™ LED Illuminators have an output of up to 1700 lumens and are ideal replacements for standard halogen illuminators because LED illuminators last up to 60 times longer than halogen bulbs and never need to be replaced. These illuminators are controllable manually through controls on the front of the unit or via RS-232 for easy integration into computer controlled systems. Optional, easy-to-operate software is also available.

Available with red, green, blue, white, or white options, SugarCUBE™ LED Illuminators fulfill a wide range of machine vision applications. The standard white unit offers an output power of greater than 1450 lumens and a radiant flux of 1200mW. A fiber optic adapter required to connect a light guide to the illuminator.

Technical Information



Stock Number	Description	Shoulder Diameter (Inches)	Ferrule Diameter (Inches)	Compatible Illuminator	Compatible Light Guide
#66-301	SugarCUBE™ Light Guide Adapter - 50	0.752	0.564	Red, Green, Blue, White, Ultra White	54-210 , 39-826 , 58-839 , 54-174 , 38-659 , 39-369 , 39-370 , 39-371 Ultra White MUST use liquid light guides
#66-302	SugarCUBE™ Light Guide Adapter - 52	0.877	0.564	Red, Green, Blue, White, Ultra White	54-210 , 39-826 , 58-839 , 54-174 , 38-659 , 39-369 , 39-370 , 39-371 Ultra White MUST use liquid light guides
#66-303	SugarCUBE™ Light Guide Adapter - 53	1.505	0.439	Red, Green, Blue, White	
#66-304	SugarCUBE™ Light Guide Adapter - 56	0.207	0.19	Red, Green, Blue, White	54-199 , 42-344 , 39-365 , 42-345 , 40-644 , 39-366
#66-305	SugarCUBE™ Light Guide Adapter - 57	0.255	0.19	Red, Green, Blue, White	54-199 , 42-344 , 39-365 , 42-345 , 40-644 , 39-366
#66-306	SugarCUBE™ Light Guide Adapter - 58	0.424	0.314	Red, Green, Blue, White	54-202 , 53-045 , 40-639 , 42-346 , 42-347 , 39-367 , 39-368 , 53-689 , 53-692 , 53-690 , 53-693 , 53-691 , 53-694
#66-307	SugarCUBE™ Light Guide Adapter - 65	1.52	0.63	Red, Green, Blue, White	54-212
#66-308	SugarCUBE™ Light Guide Adapter - 66	1.52	0.565	Red, Green, Blue, White	54-210 , 39-826 , 58-839 , 54-174 , 38-659 , 39-369 , 39-370 , 39-371
#13-536	SugarCUBE™ Light Guide Adapter - 3mm	0.57	0.314	Red, Green, Blue, White, Ultra White	54-202 , 53-045 , 40-639 , 42-346 , 42-347 , 39-367 , 39-368 , 53-689 , 53-692 , 53-690 , 53-693 , 53-691 , 53-694 Ultra White MUST use liquid light guides
#13-537	SugarCUBE™ Light Guide Adapter - 5mm	0.455	0.314	Red, Green, Blue, White, Ultra White	54-202 , 53-045 , 40-639 , 42-346 , 42-347 , 39-367 , 39-368 , 53-689 , 53-692 , 53-690 , 53-693 , 53-691 , 53-694 Ultra White MUST use liquid light guides

