

TECHSPEC® 27mm Diameter, T-Mount Thin Optic Mount



Stock #53-861 **2 In Stock**

- 1 + A\$115²⁰

ADD TO CART

Volume Pricing	
Qty 1-4	A\$115.20 each
Qty 5-9	A\$102.56 each
Qty 10-25	A\$94.88 each
Need More?	Request Quote

Product Downloads

General

Optic Mount (Fixed) **Function:**

Circular **Type of Optics:**

Physical & Mechanical Properties

11.5	Extension Length (mm):
14.95	Total Length (mm):
2.0	Min. Thickness of Compatible Optics (mm):
5.5	Max. Thickness of Compatible Optics (mm):
24.0	Clear Aperture CA (mm):
Black Anodized Aluminum (6061 T6)	Construction:
48.0	Outer Diameter (mm):
27.0	Diameter of Compatible Reticle (mm):

Threading & Mounting

T-Mount	Thread Type:
27.0	Diameter of Compatible Optics (mm):

Regulatory Compliance

Compliant	RoHS 2015:
View	Certificate of Conformance:
Compliant	REACH 241:

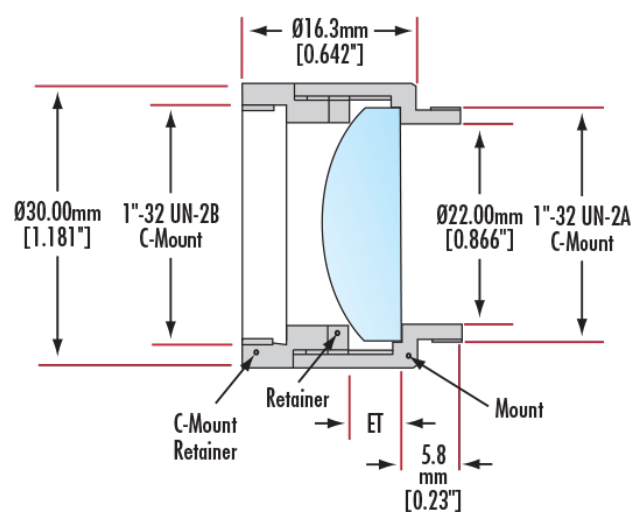
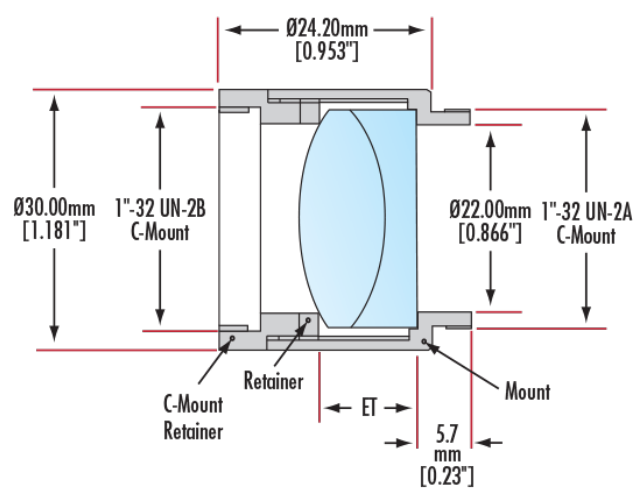
Product Details

- Mounts for Simple Lenses, Achromats, Filters, or Reticles
- Designed to Integrate with Any C, S, or T-Mount Components
- Optic is Held in Place with Included Retaining Ring

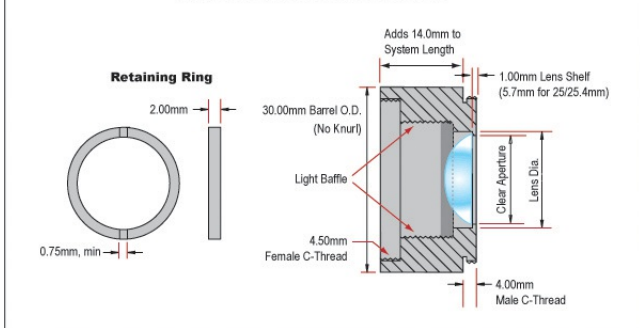
TECHSPEC® C, S, and T-Mount Circular Optic Mounts are designed to mount a variety of circular optical components into C, S, or T-Mount compatible systems. An included threaded retainer ring, designed to accept a standard spanner wrench, securely holds the optical component. These circular optic mounts are compatible with a wide variety of Edmund Optics optomechanical components utilizing C, S, or T-Mount threads, such as [extension tubes](#) and [kinematic mounts](#). TECHSPEC® C, S, and T-Mount Circular Optic Mounts are threaded for 1" x 32TPI, M12 x 0.5, or M42 x 0.75 mounting, with 30mm, 16mm, and 48mm outer diameters, respectively. These mounts are ideal for creating and personalization of a diverse range of optical systems.

Note: #56-353, #56-354, #52-933, and #52-292 are all 3-part assemblies

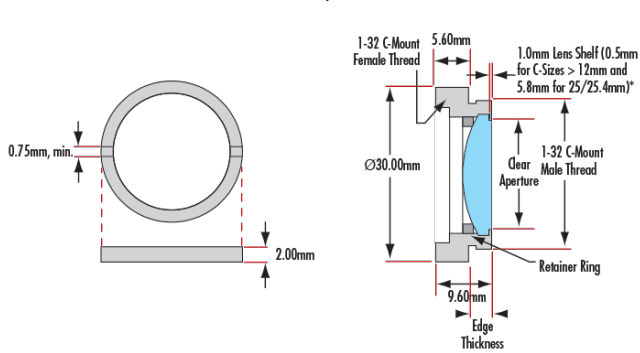
Technical Information



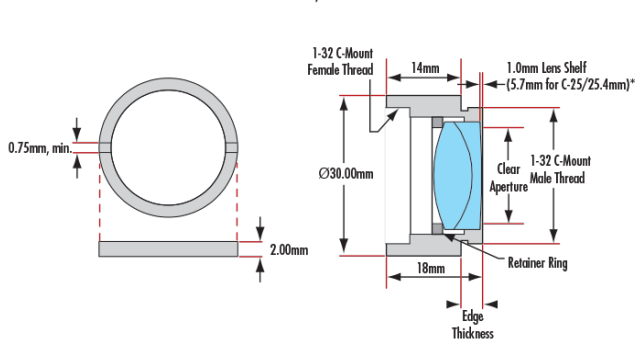
C-Mount Achromat/Thick Lens Mounts



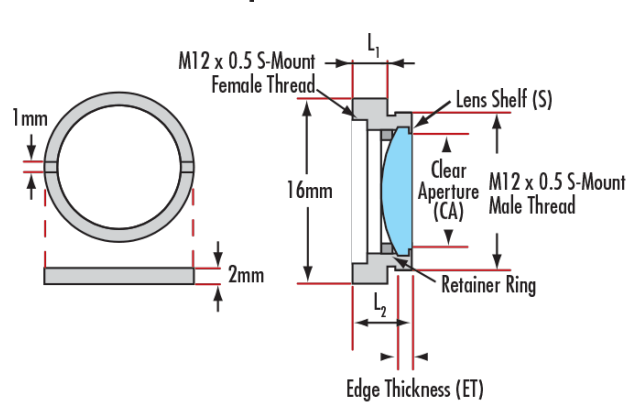
C-Thread Simple / Thin Lens Mount



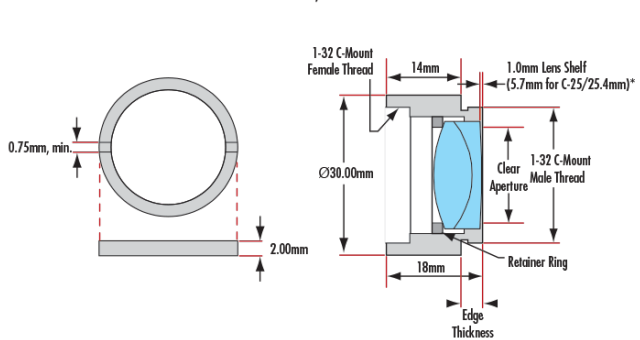
C-Thread Achromat / Thick Lens Mount



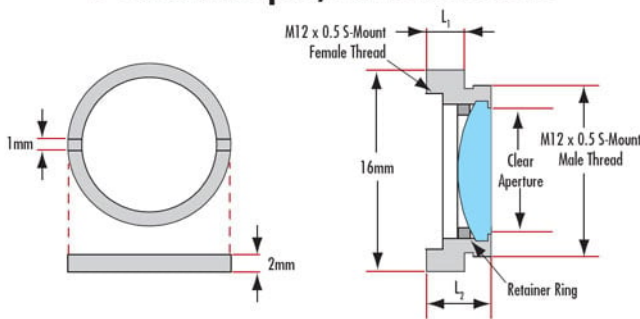
S-Thread Simple / Thin Lens Mount



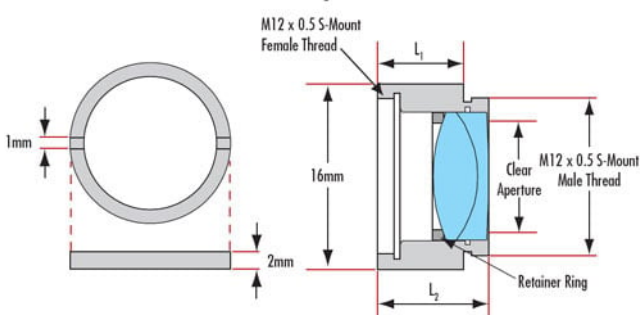
C-Thread Achromat / Thick Lens Mount

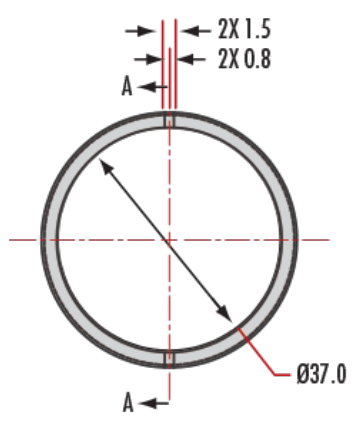


S-Thread Simple /Thin Lens Mount



S-Thread Achromat / Thick Lens Mount





#58-741

