

[See all 20 Products in Family](#)

# VIS Vertical Mitutoyo Widefield Video Microscope Unit, Brightfield/Darkfield

See More by [Mitutoyo](#)



#18-652 + Objective

Stock **#18-652** [CONTACT US](#)

⊖ 1 ⊕ **A\$23,568<sup>00</sup>**

**ADD TO CART**

### Volume Pricing

|            |                               |
|------------|-------------------------------|
| Qty 1+     | <b>A\$23,568.00</b> each      |
| Need More? | <a href="#">Request Quote</a> |

### Product Downloads

### General

378-517 **Model Number:**

VS **Range:**

Vertical Mount, Brightfield/Darkfield, Widefield, erect image **Type:**

Mitutoyo **Manufacturer:**

Compatible Objectives:

Note:

C-Mount adapter for the camera port included

Physical & Mechanical Properties

Weight (g):

2000

Optical Properties

Magnification:

1X

Wavelength Range (nm):

436 - 656

Sensor

Maximum Sensor Format:

APS-C

Threading & Mounting

Mount:

F-Mount or C-Mount w/ included adapter

Mounting Threads:

Objective Mounts: M40 x 36 TPI

Regulatory Compliance

RoHS 2015:

Exempt

Certificate of Conformance:

View

REACH 241:

Contains SVHC(s)

Product Details

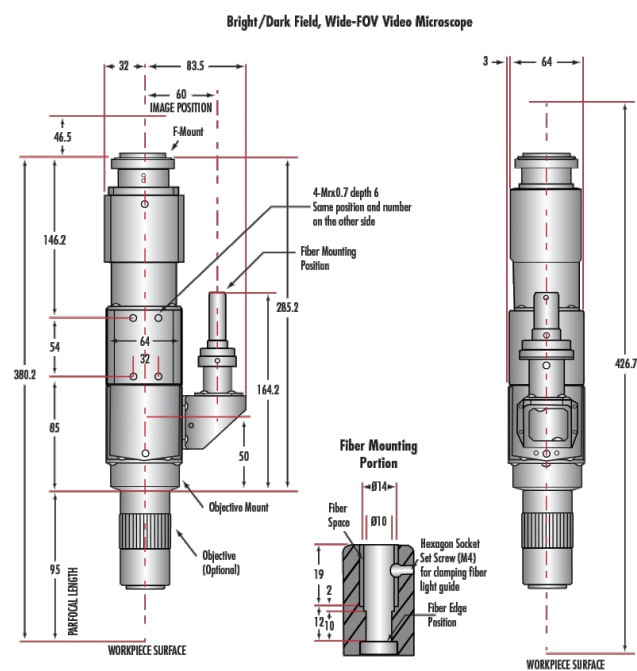
- Designed for M26 x 36 TPI or M40 x 36 TPI [Infinity Corrected Objectives](#)
- Maximum Sensor Size up to 2/3" or APS-C
- Vertical and Horizontal Orientations, Brightfield and Darkfield Configurations Available
- In-Line Fiber Illumination Port Compatible with 8mm or 1/4" (0.312") Diameter Ferrules

The Mitutoyo Video Microscope Units (VMU) are used to connect [infinity corrected objectives](#) to a [C-mount or F-mount camera](#) for quick and easy setup of microscopy systems. Providing 1X magnification, the Mitutoyo Video Microscope Unit (VMU) features an in-line illumination port for maximum contrast and simple illumination compared to epi-illumination techniques. The Brightfield VMU configurations are fitted with an adjustable iris to control light throughput without adjusting camera shutter or gain.

The Mitutoyo VMU is available in standard (for 2/3" format sensors) and widefield (for APS-C format sensors) with options for the camera port to be oriented at 90 or 180 degrees with respect to the objective. In addition to broadband versions, the VMU is also available in a specialized Nd:YAG Laser Line configuration, supporting 355, 532, and 1064nm lasers, as well as versions specifically designed for Darkfield Microscopy. Mitutoyo Video Microscope Units (VMU) utilize optics optimized for the NUV, VIS, or NIR spectra, making them ideal and directly compatible with a wide selection of [Mitutoyo infinity corrected objectives](#).

Mitutoyo Manual Turrets are available for each VMU configuration. They feature four objective mounts which enable quick transition between multiple objectives of different magnifications. Pairing the turret with the VMU creates a flexible video imaging microscope system.

Technical Information



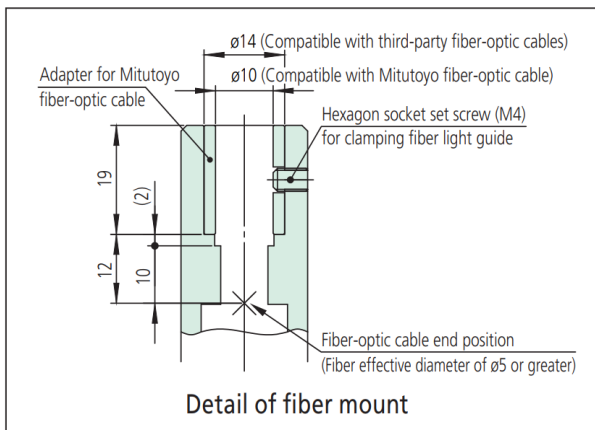
**Horizontal VIS-NIR VMU (#89-621)**



**Vertical Laser Line VMU (#89-622)**



**Vertical VIS-NIR VMU (#86-799)**



Mitutoyo Video Microscope Unit (VMU) and Mitutoyo Turret

| Wavelength Range:                      | VIS-NIR                        |                         | NUV-VIS-NIR Nd:YAG 355/532/1064nm | VIS-NIR-SWIR Widefield Hi-Res               | VIS Widefield BD                      |            |
|--|--------------------------------|-------------------------|-----------------------------------|---|---------------------------------------|------------|
| Type:                                  | Brightfield                    |                         | Brightfield                       | Brightfield                                 | Brightfield/Darkfield                 |            |
| Orientation:                           | Vertical                       | Horizontal              | Vertical                          | Vertical                                    | Vertical                              | Horizontal |
| Model:                                 | 378-505                        | 378-506                 | 378-507                           | 378-519                                     | 378-517                               | 378-518    |
| Tube Lens Magnification:               | 1X                             |                         | 1X                                | 1X  | 1X                                    |            |
| Camera Mount:                          | C-Mbunt                        |                         | C-Mbunt                           | F-Mbunt or C-Mbunt w/included adapter       | F-Mbunt or C-Mbunt w/included adapter |            |
| Objective Mount:                       | M26 x36 TPI                    |                         | M26 x36 TPI                       | M26 x36 TPI                                 | M40 x36 TPI                           |            |
| Max. Sensor Format:                    | 2/3"                           |                         | 2/3"                              | APS-C                                       | APS-C                                 |            |
| Weight:                                | 570g                           | 590g                    | 980g                              | 1400g                                       | 2150g                                 |            |
| Stock Number:                          | <a href="#">#86-799</a>        | <a href="#">#89-621</a> | <a href="#">#89-622</a>           | <a href="#">#23-338</a>                     | <a href="#">#18-653</a>               |            |
| Manual Turret (Four Objective Mounts): | <a href="#">#86-589</a>        |                         | <a href="#">#86-589</a>           | <a href="#">#18-654</a>                     | <a href="#">#18-655</a>               |            |
| Compatible Objectives:                 | MPlan Apo/HR/SL and G Plan Apo |                         | MPlan Apo/HR/SL and MPlan NIR/NUV | MPlan Apo/HR/SL G Plan Apo<br>MPlan Apo NIR | BD Plan Apo                           |            |
| VMU-L Laser Mount to C-Mount Adapter:  | N/A                            |                         | <a href="#">#37-044</a>           | N/A   | N/A                                   |            |