

Z Axis Bracket for 0.5" Stages(B)



#57-533: Z Axis Bracket for 0.5" Stages(B)

Stock **#57-533** **1 In Stock**

⊖ 1 ⊕ **A\$177⁰⁰**

ADD TO CART

Volume Pricing

Qty 1+	A\$177.60 each
Need More?	Request Quote

Product Downloads

General

Adapter Brackets & Plates **Type:**

Regulatory Compliance

RoHS 2015:
[Compliant](#)

Certificate of Conformance:
[View](#)

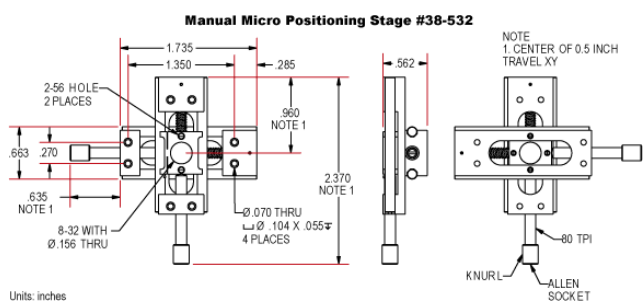
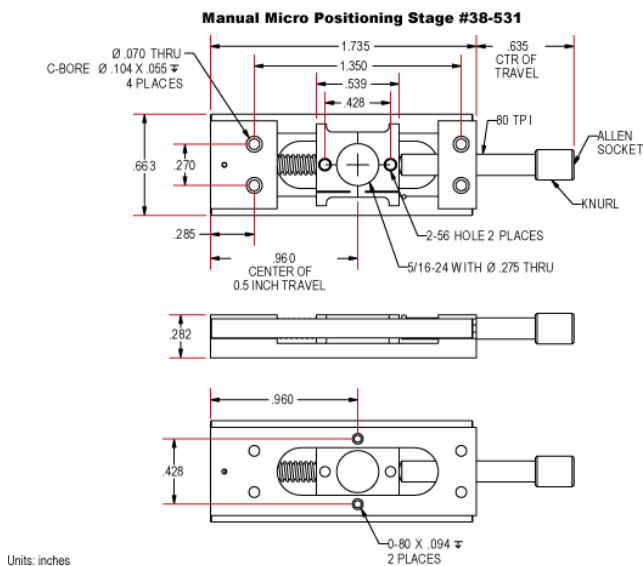
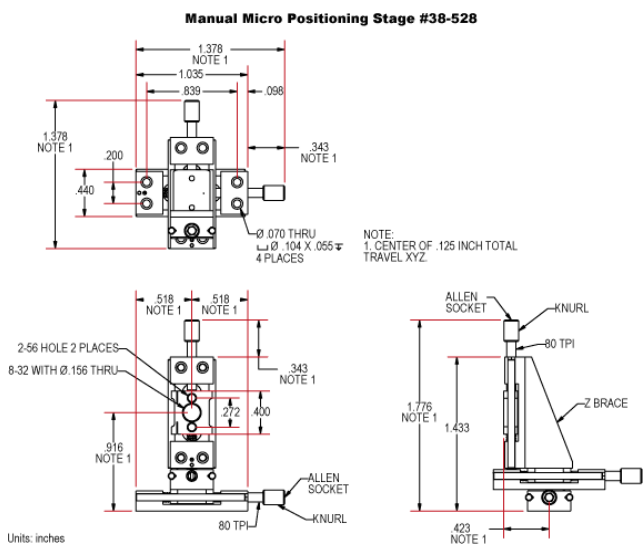
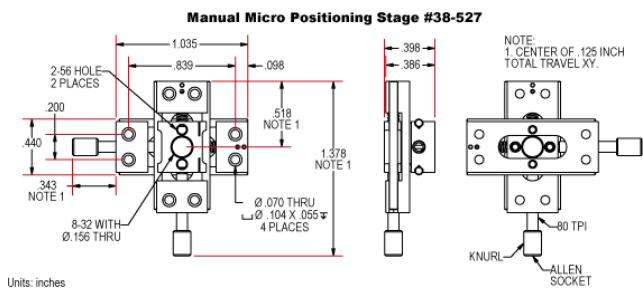
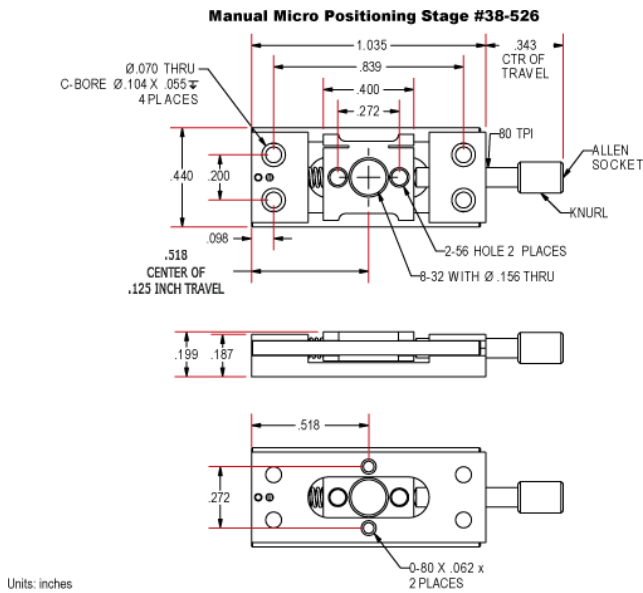
REACH 241:
[Compliant](#)

Product Details

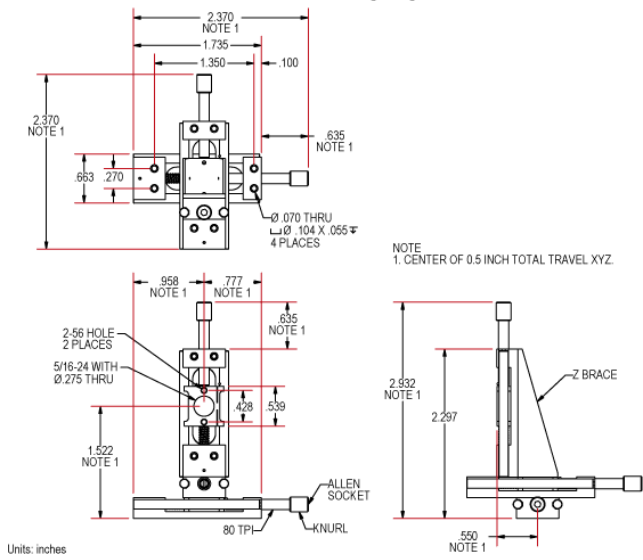
- Two Micro Sizes Available
- Versions with Covered Rails
- Three Travel Selections
- X, XY, and XYZ Axis Models

These stages are a dimensional breakthrough and the smallest positioners available today. Positive spring loaded carriage provides precise, smooth motion with no backlash. Straight line accuracy under 2 microns. Features fine 80 TPI lead screw drive. The larger series, Stage Size B, are for longer travel, higher load applications. Fully metric compatible clearance holes. Covered Rail versions are slightly wider, but offer protection for the guide rails. Accessories allow for mounting our precision pinholes for spatial filtering applications. Anodized aluminum construction with stainless rails.

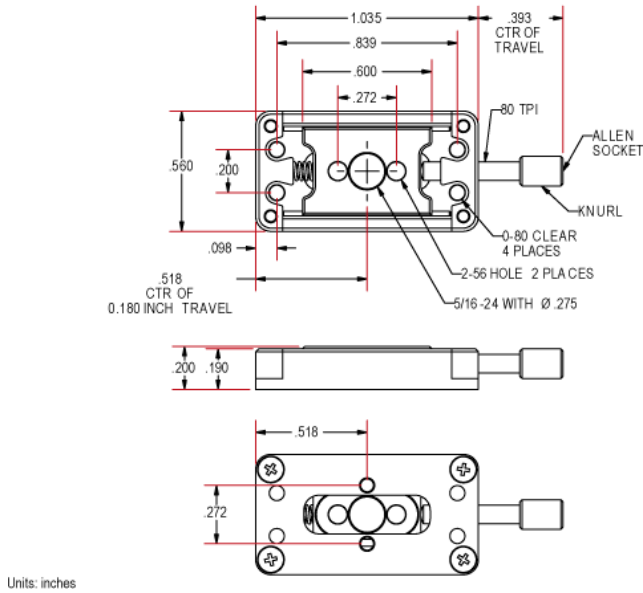
Technical Information



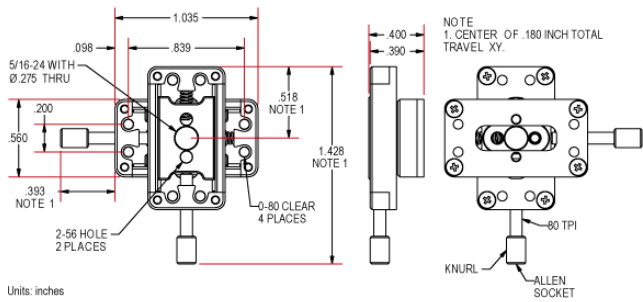
Manual Micro Positioning Stage #38-533



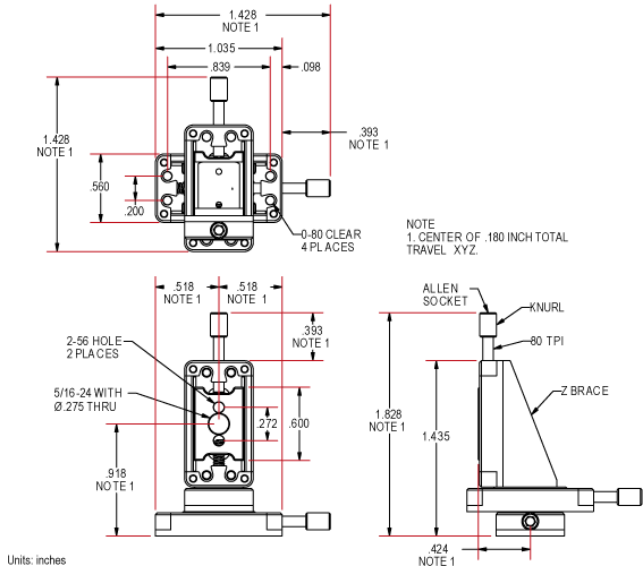
Manual Micro Positioning Stage #56-416



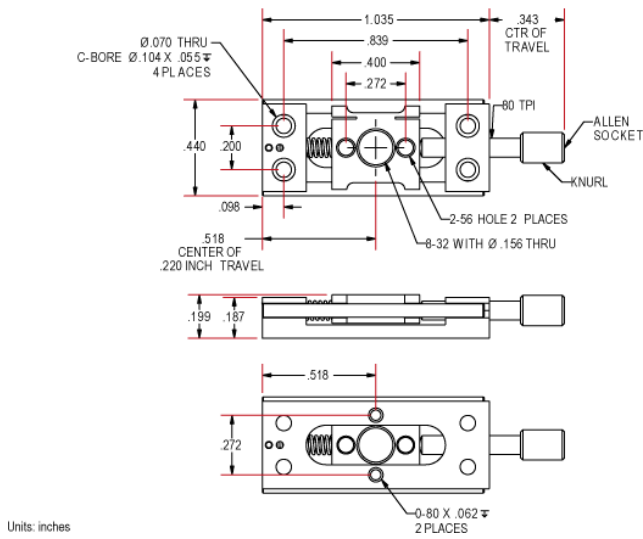
Manual Micro Positioning Stage #56-417



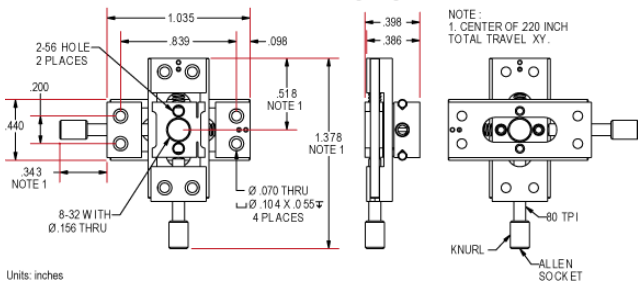
Manual Micro Positioning Stage #56-418



Manual Micro Positioning Stage #56-419

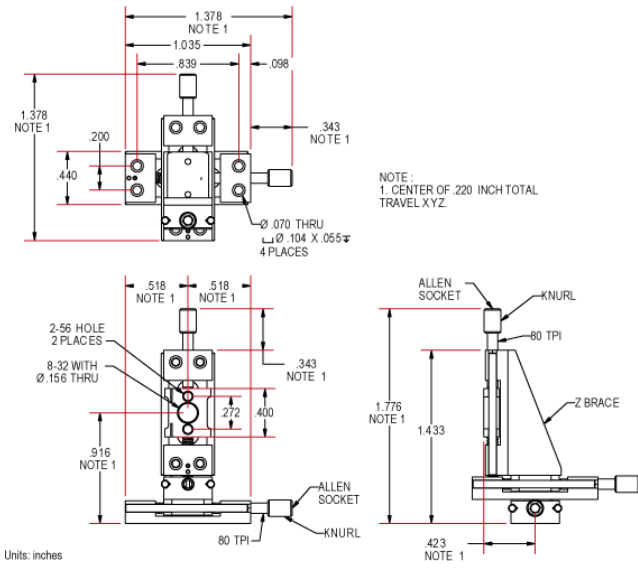


Manual Micro Positioning Stage #56-420



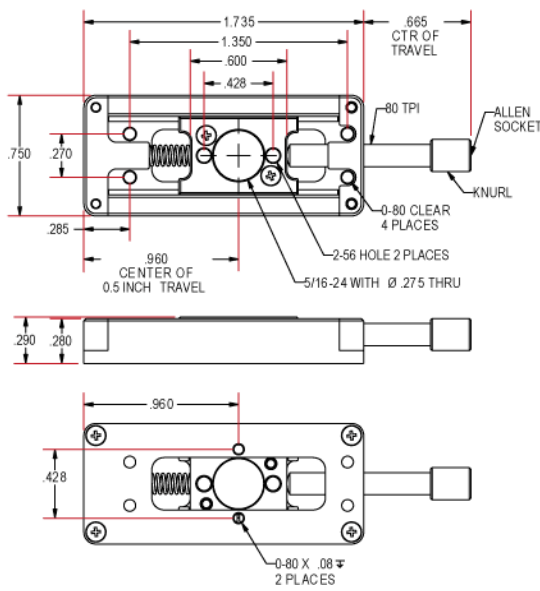
Units: inches

Manual Micro Positioning Stage #56-421



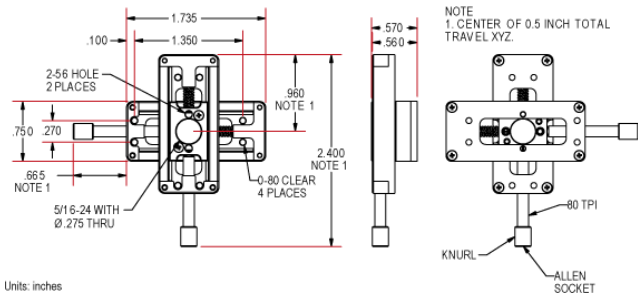
Units: inches

Manual Micro Positioning Stage #56-422



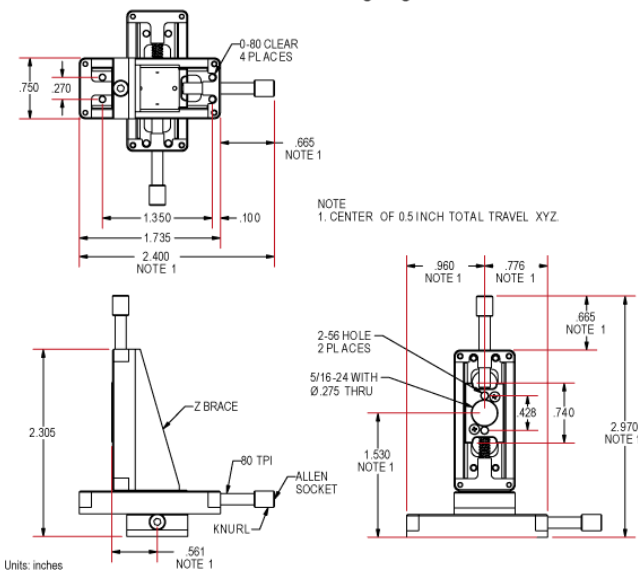
Units: inches

Manual Micro Positioning Stage #56-423

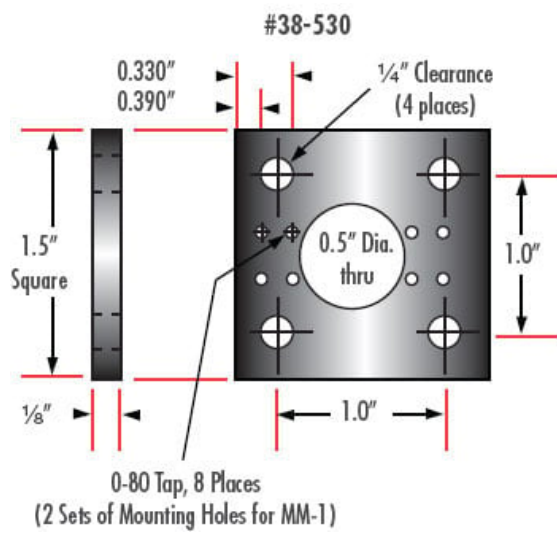


Units: inches

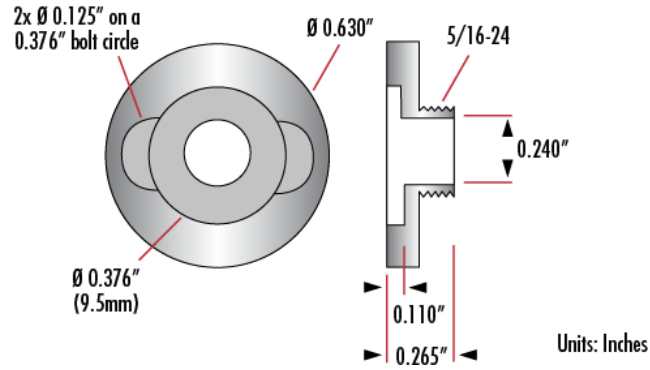
Manual Micro Positioning Stage #56-424



Units: inches

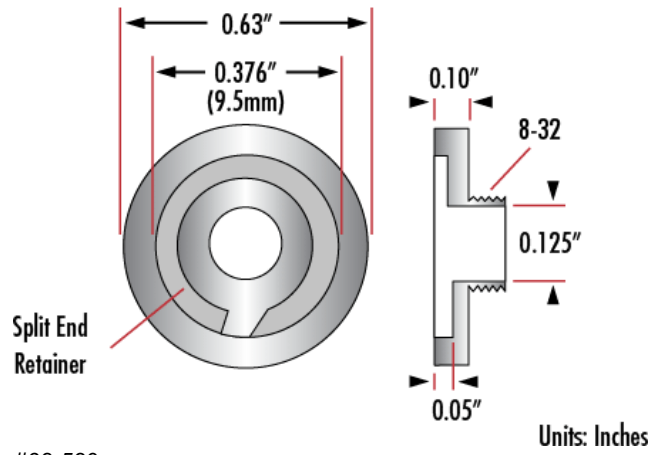


Pinhole Adapter for Stage Type B, #38-534



#38-534

Pinhole Adapter for Stage Type A, #38-529



#38-529